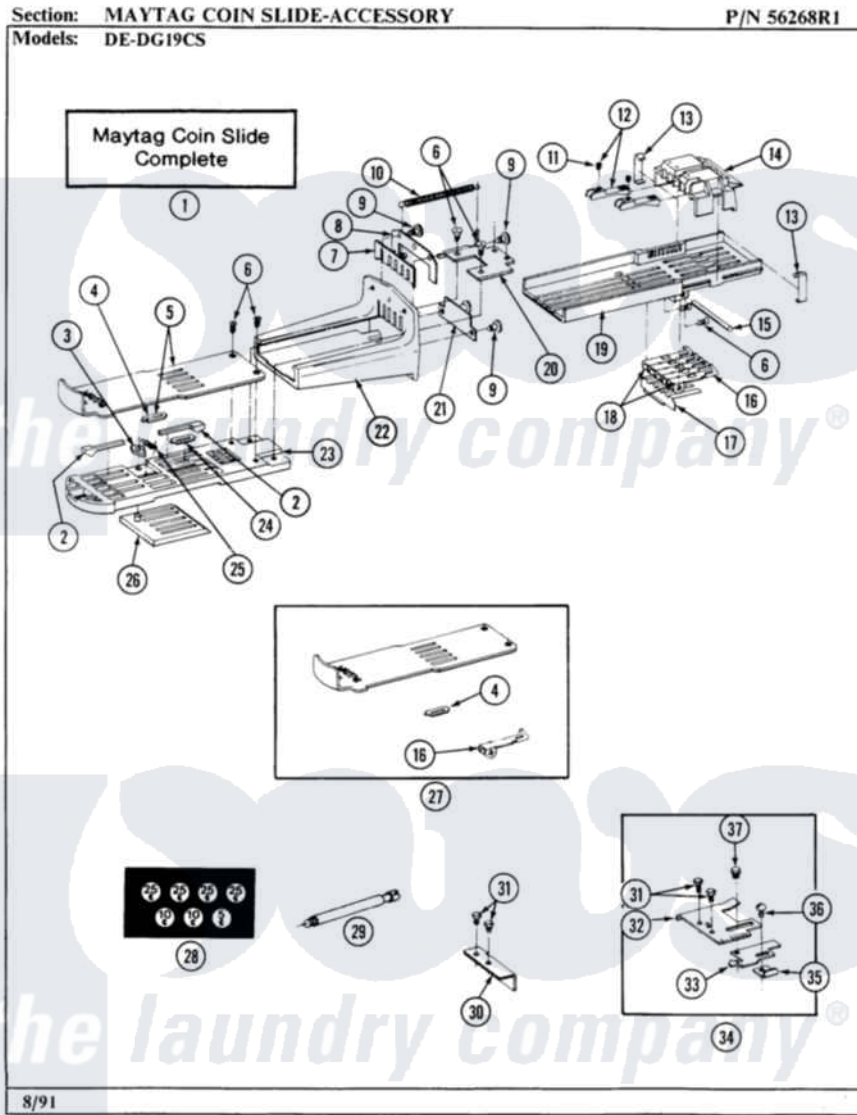


# Maytag GDG19CT 11 - MAYTAG COIN SLIDE-ACCESSORY



22

Maytag Commercial Maytag GDG19CT Dryer Parts Parts Diagram 11 - MAYTAG COIN SLIDE-ACCESSORY  
 Click on the part number to view part

Item	Original Part Number	Replaced By	Status	Part Description
001	NLA		Not Available	MAYTAG COIN SLIDE
002	NLA		Not Available	PLUG, COIN OPENING
003	214572		Not Available	ARM, RATCHET
004	NLA		Not Available	NICKEL INSERT
005	NLA		Not Available	SLIDE PLATE W/NICKEL INSERT
006	<a href="#">214597</a>			Screw
007	<a href="#">214578</a>			Gate For Coin Opening
008	NLA		Not Available	RETAINER, GATE
009	NLA		Not Available	STUD, COIN SLIDE
010	<a href="#">214581</a>			Spring, Return
011	NLA		Not Available	SET SCREW, GAGE
012	NLA		Not Available	MOVABLE COIN GAGE
013	<a href="#">214589</a>			Clip, Spring
014	NLA		Not Available	MEASURING BLOCK ASSEMBLY
015	NLA		Not Available	PIN, LOWER GAGE ARM

016	NLA		Not Available	LOWER GAGE ARM
017	<a href="#">214596</a>			Spring For Lower Gage Arm
018	205343		Not Available	LOWER GAGE ARM ASSEMBLY
019	214594		Not Available	BASE INSERT FOR HOUSING
020	NLA		Not Available	END BRACKET, SLIDE
021	NLA		Not Available	RETAINER, GAGE SPRING
022	214584		Not Available	HOUSING FOR COIN SLIDE
023	NLA		Not Available	SLIDE BODY
024	NLA		Not Available	DIME INSERT
025	<a href="#">214582</a>			Spring For Ratchet Arm
026	<a href="#">205350</a>			Stop Block Assembly
027	NLA		Not Available	SLIDE PLATE W/NICKEL INSERT
028	<a href="#">214648</a>			Decal, Coinage
029	<a href="#">213035</a>			Bolt, Locking
030	<a href="#">314334</a>			Bracket For Coin Slide
031	212707	<a href="#">3196385</a>		Screw
032	<a href="#">Y312577</a>			Bracket For Slide
033	<a href="#">Y312578</a>			Slide Adjustment
034	Y302924		Not Available	ACTUATOR KIT-DRYER SLIDES
035	<a href="#">Y312576</a>			Zero Slide Adjustment
036	NLA		Not Available	PART NOT USED
037	<a href="#">Y313588</a>	<a href="#">488234</a>		Screw 8-32 X 1/4

*the laundry company®*

*the laundry company®*