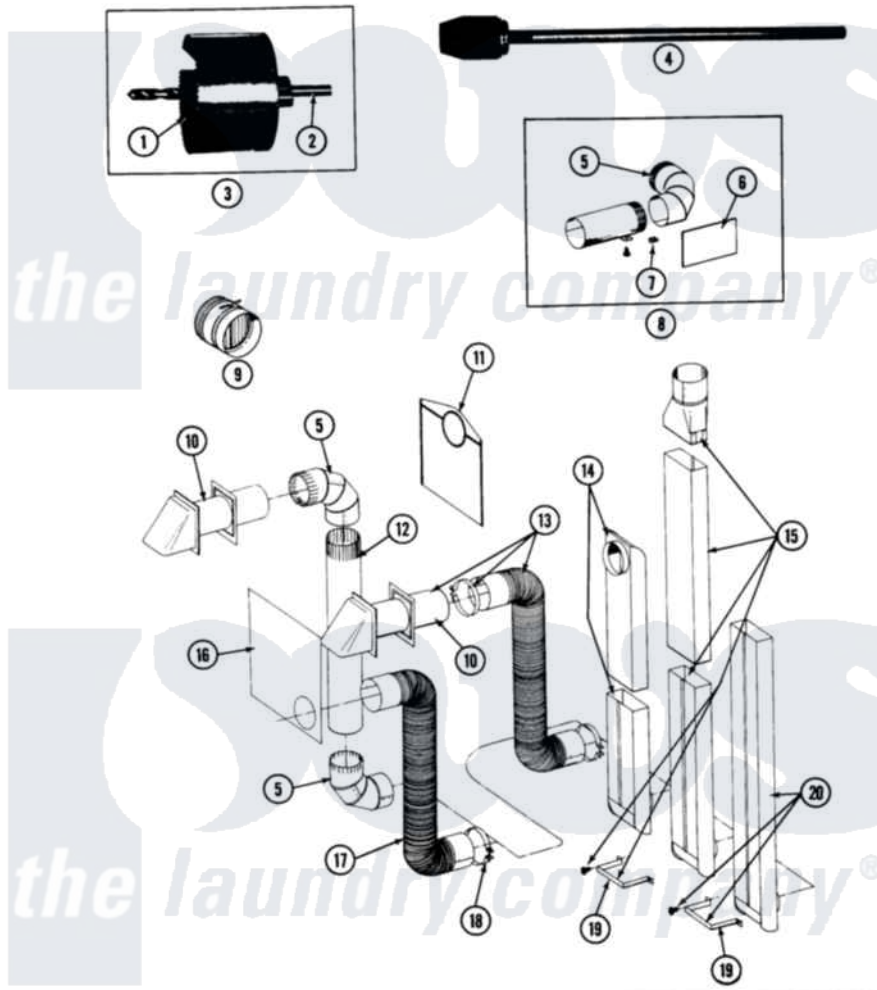


Maytag GDG26CA 09 - INSTALLATION ACCESSORIES

SECTION: INSTALLATION ACCESSORIES
 MODEL: DE-DG26CA-CD-CT



Issue Date: 11/90

36

Maytag Commercial Maytag GDG26CA Dryer Parts Parts Diagram 09 - INSTALLATION ACCESSORIES
 Click on the part number to view part

| Item | Original Part Number | Replaced By | Status | Part Description |
|------|-------------------------|---------------------------|---------------|---|
| 001 | NLA | | Not Available | BLADE, SAW |
| 002 | NLA | | Not Available | REPLACEMENT DRILL |
| 003 | NLA | | Not Available | HOLE SAW W/DRILL BIT |
| 004 | NLA | | Not Available | EXTENSION CHUCK, DRILL |
| 005 | Y059131 | | | Elbow, Venting |
| 006 | 312302 | | | Insulation, Exhaust Duct Kit |
| 007 | 213323 | | | Fastener, Exhaust Duct Kit |
| 008 | 211294 | 90767 | | Screw, 8A X 3/8 Hex Washer Head Tapping |
| " | Y304652 | | | Exhaust Duct Kit |
| 009 | NLA | | Not Available | DAMPER, BACK DRAFT |
| 010 | Y059129 | 4396007RW | | Vent Hood |
| 011 | 311353 | | Not Available | BAG, LINT (DACRON) |
| 012 | Y059130 | | | Pipe, Venting |
| 013 | Y059143 | | | Flexible Vent Kit |
| 014 | Y059135 | | | Vent Duct Assembly |
| 015 | NLA | | Not Available | RECTANGULAR VENT KIT |

| | | | |
|-----|-------------------------|---------------------------|--|
| 016 | Y059134 | | PLATE, ALUM. WINDOW (15``X20``) |
| 017 | Y304353 | 4396010RP | 6ft Scvent |
| 018 | Y304630 | | Clamp, Flexible Duct |
| 019 | 211294 | 90767 | Screw, 8A X 3/8 HeX Washer Head Tapping |
| " | NLA | Not Available | BRACKET, EXHAUST DEFLECTOR |
| 020 | NLA | Not Available | EXHAUST DEFLECTOR KIT |

