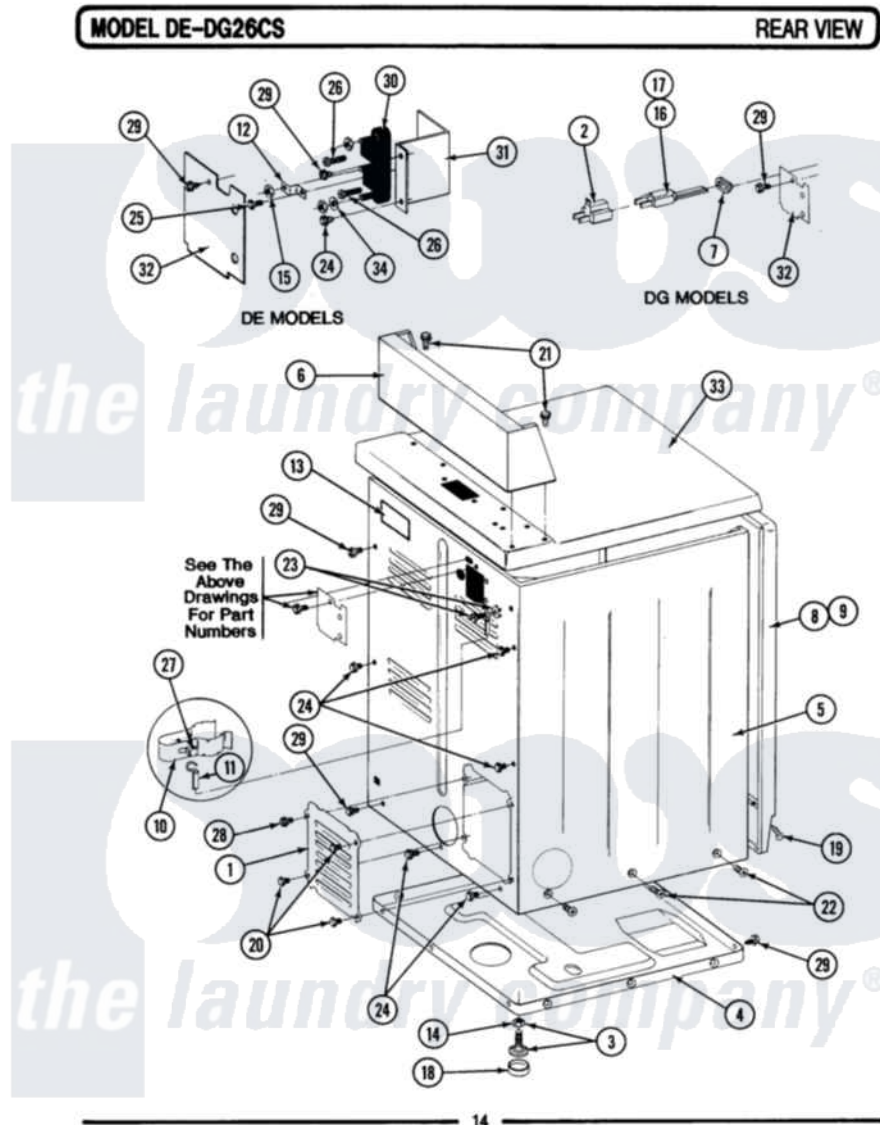


# Maytag GDG26CS 05 - REAR VIEW



Maytag [Commercial Maytag GDG26CS Dryer Parts](#) Parts Diagram 05 - REAR VIEW  
 Click on the part number to view part

Item	Original Part Number	Replaced By	Status	Part Description
001	Y312951		Not Available	ACCESS COVER, BACK
002	<a href="#">Y201808</a>			Converter
003	<a href="#">Y305086</a>			Adjustable Leg And Nut
004	Y303361		Not Available	BASE ASSY. (UPPER & LOWER)
005	NLA		Not Available	CABINET (WHT)
006	NLA		Not Available	CONTROL COVER (WHT)
007	<a href="#">211881</a>			Grommet, Cord Part Not Used-Gas Models Only
008	NLA		Not Available	PART NOT USED
009	<a href="#">307998L</a>			Front Panel---NA
"	NLA		Not Available	FRONT PANEL ASSY. (WHT)
010	<a href="#">301548</a>			Clamp, Ground Wire
011	<a href="#">311155</a>			Ground Wire And Clamp
012	<a href="#">Y312184</a>			Strap, Grounding
013	<a href="#">214519</a>			LABEL, ELECTRICAL INSTR. PART NOT USED-GAS MODELS ONLY

014	<a href="#">Y052740</a>	<a href="#">62739</a>	Nut, Lock
015	<a href="#">311484</a>	<a href="#">112432</a>	Nut
016	302521	Not Available	CORD, POWER PART NOT USED-GAS MODELS ONLY
017	305168	<a href="#">33002916</a>	Power Cord, Canadian 240V
018	<a href="#">Y314137</a>		Foot, Rubber
019	<a href="#">204439</a>		Screw And Fstner Assembly
020	<a href="#">211294</a>	<a href="#">90767</a>	Screw, 8A X 3/8 HeX Washer Head Tapping
021	212276	<a href="#">W10116760</a>	Screw
022	<a href="#">213007</a>		Xfor Cabinet See Cabinet, Back
023	NLA	Not Available	SCREW & WASHER ASSY.
024	Y310632	<a href="#">1163839</a>	Screw
025	Y311423	<a href="#">489483</a>	Screw 10-32 X 1/2
026	<a href="#">Y312209</a>	<a href="#">W10001200</a>	Screw
027	<a href="#">313122</a>		Screw - Baffle To Tumbler
028	<a href="#">Y313559</a>		Screw
029	<a href="#">Y313561</a>		Screw----NA
030	<a href="#">400008</a>		Block, Terminal
031	<a href="#">Y312904</a>		Bracket, Terminal Block
032	Y312905	Not Available	COVER, TERMINAL
033	307105	Not Available	COVER, TOP ASSY. (WHT)
"	NLA	Not Available	(ALM)
034	<a href="#">Y311270</a>		Washer, Terminal Block

*the laundry company*<sup>®</sup>

*the laundry company*<sup>®</sup>