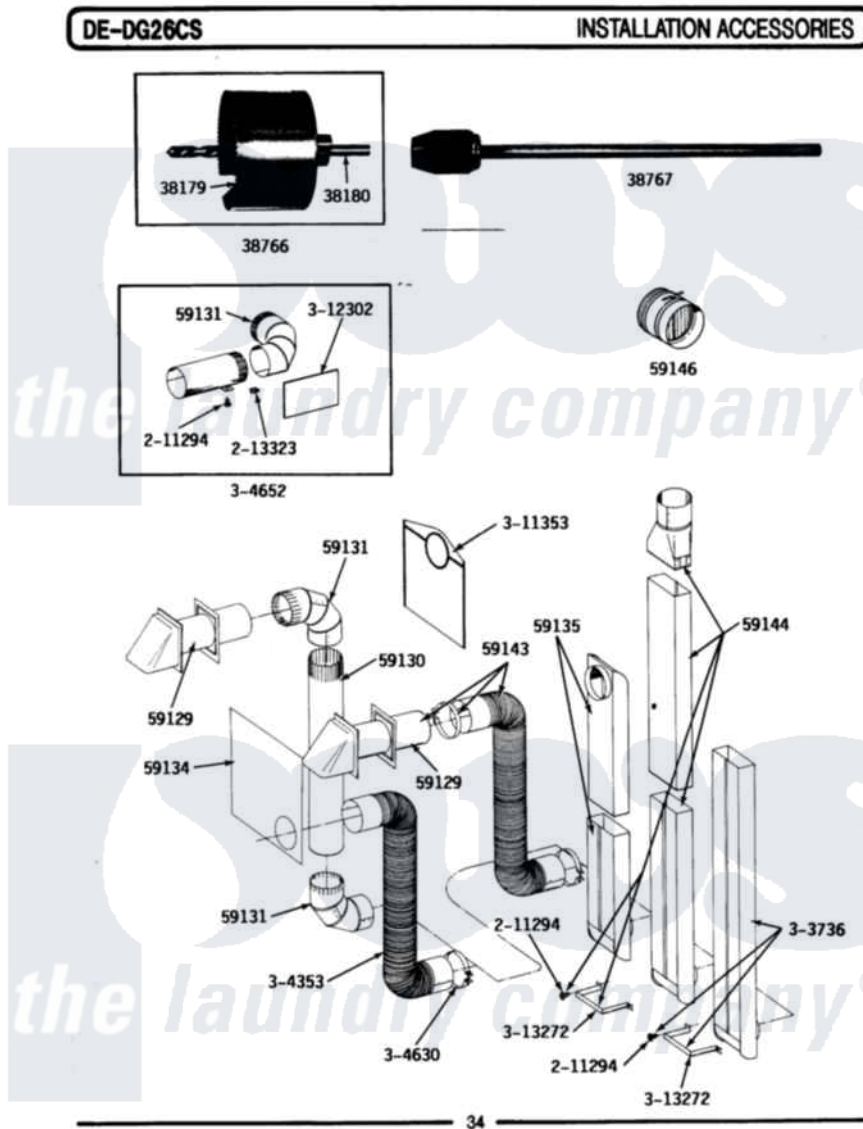


Maytag GDG26CS 09 - INSTALLATION ACCESSORIES



Maytag Commercial Maytag GDG26CS Dryer Parts Parts Diagram 09 - INSTALLATION ACCESSORIES
 Click on the part number to view part

Item	Original Part Number	Replaced By	Status	Part Description
001	NLA		Not Available	BLADE, SAW
002	NLA		Not Available	REPLACEMENT DRILL
003	NLA		Not Available	HOLE SAW W/DRILL BIT
004	NLA		Not Available	EXTENSION CHUCK, DRILL
005	Y059129	4396007RW		Vent Hood
006	Y059130			Pipe, Venting
007	Y059131			Elbow, Venting
008	Y059134			PLATE, ALUM. WINDOW (15" X 20")
009	Y059135			Vent Duct Assembly
010	Y059143			Flexible Vent Kit
011	NLA		Not Available	RECTANGULAR VENT KIT
012	NLA		Not Available	DAMPER, BACK DRAFT
013	211294	90767		Screw, 8A X 3/8 Hex Washer Head Tapping
014	213323			Fastener, Exhaust Duct Kit
015	NLA		Not Available	EXHAUST DEFLECTOR KIT

016	Y304353	4396010RP	6ft Scvent
017	Y304630		Clamp, Flexible Duct
018	Y304652		Exhaust Duct Kit
019	311353	Not Available	BAG, LINT (DACRON)
020	312302		Insulation, Exhaust Duct Kit
021	NLA	Not Available	BRACKET, EXHAUST DEFLECTOR

