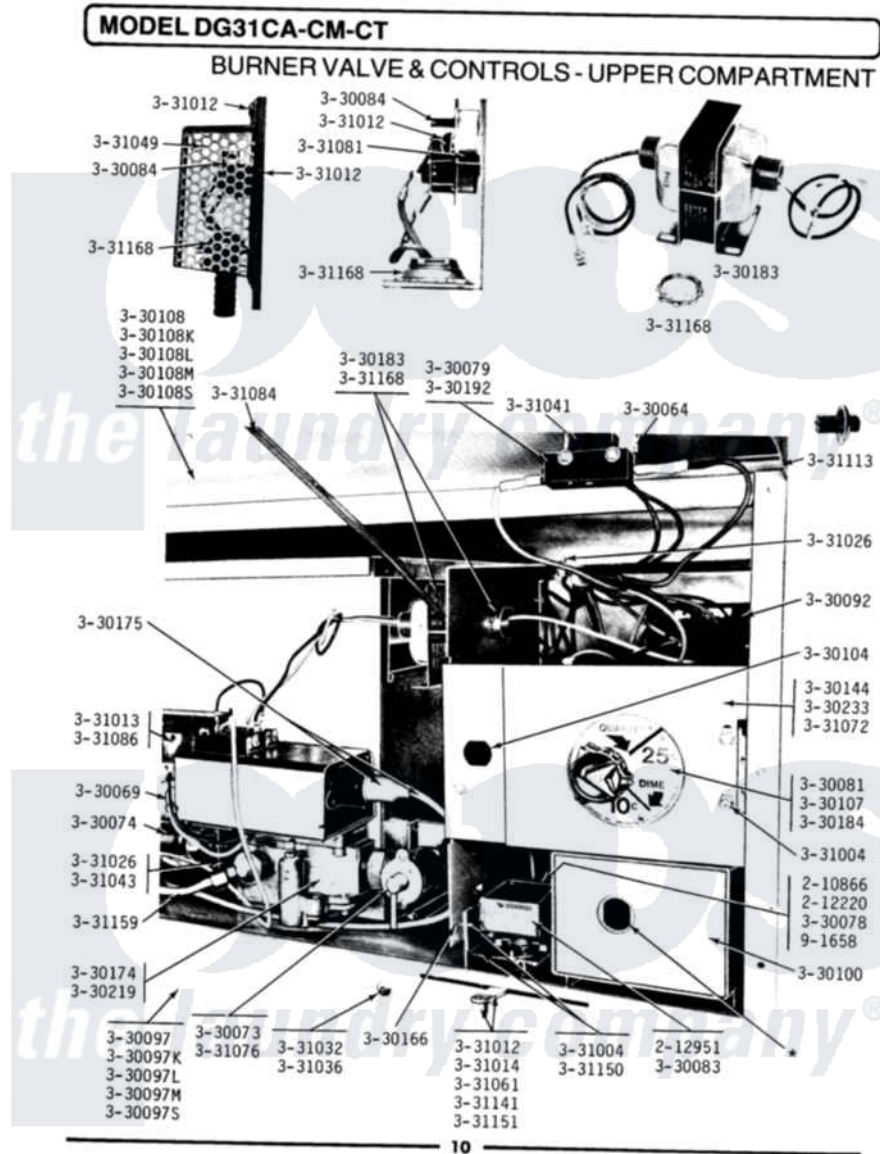


Maytag GDG31CT 04 - BURNER VALVE & CONTROLS-UPPER COMP.



Maytag Commercial Maytag GDG31CT Dryer Parts Parts Diagram 04 - BURNER VALVE & CONTROLS-UPPER COMP.
 Click on the part number to view part

Item	Original Part Number	Replaced By	Status	Part Description
001	210866			Nut, Twin Speed
002	212220	213501		Screw, No.6-20 X 1-1/8 Inch
003	212951			Screw, No.6-32 X 1/4 Inch
004	Y330064			Pilot Light
NI	NLA		Not Available	BURNER, MAIN
006	Y330073			Valve, Shut-Off
NI	NLA		Not Available	MANIFOLD FOR MAIN BURNER
008	Y330083		Not Available	CONTROL, TEMPERATURE
009	330084			Thermostat, Hi-Limit
010	Y330092			Terminal Block
011	NLA		Not Available	FRONT PANEL-WHITE
012	NLA		Not Available	FRONT PANEL-ALMOND
013	NLA		Not Available	FRONT PANEL-HARVEST WHEAT
NI	Y330100		Not Available	COIN BOX ASSEMBLY
"	NLA		Not Available	LOCK

"	NLA		Not Available	FRONT PANEL-WHITE
017	330108L		Not Available	FRONT PANEL-ALMOND
NI	330108M		Not Available	FRONT PANEL-HARVEST WHEAT
"	NLA		Not Available	VAULT ASSEMBLY
"	Y330174			Electronic Ignition Control
021	Y330175			Pilot Burner
022	330183		Not Available	TRANSFORMER
NI	330184			Timer Accumulator-25
"	Y330192		Not Available	SWITCH, PUSH TO START
025	Y330219			Electronic Control Assembly
026	NLA		Not Available	SCREW - BRACKET TO VAULT
027	331012	400022-1		Screw
028	331013	Y0300830		Screw No.10-32 X .375
029	331014	8281196		Screw
030	331026	90767		Screw, 8A X 3/8 HeX Washer Head Tapping
031	331032	61002031		Screw, Handle
NI	331036			Washer-Front Panel Screws
033	331041			Button-Push-To-Start Switch
034	NLA		Not Available	BRACKET FOR GAS CONTROL
035	331049		Not Available	VENTILATED COVER - HI-LIMIT
036	331061			Knob For Temperature Contro
037	NLA		Not Available	GAS SUPPLY LINE-28 1/2 INCH
038	NLA		Not Available	SPACER - HI-LIMIT TO HOOD
039	331084		Not Available	SUPPORT ROD FOR UPPER DOOR
NI	331086		Not Available	SHIELD FOR PILOT BURNER
041	NLA		Not Available	HINGE RIVET
042	NLA		Not Available	SCREW-TEMP CONTROL LEVER
NI	NLA		Not Available	BRACKET-TEMPERATURE CONTROL
"	331151			Lever-Temperature Control
"	NLA		Not Available	PILOT LINE
046	NLA		Not Available	NUT FOR CONDUIT
047	NLA		Not Available	TWIN FASTENER WITH SCREWS

the laundry company[®]