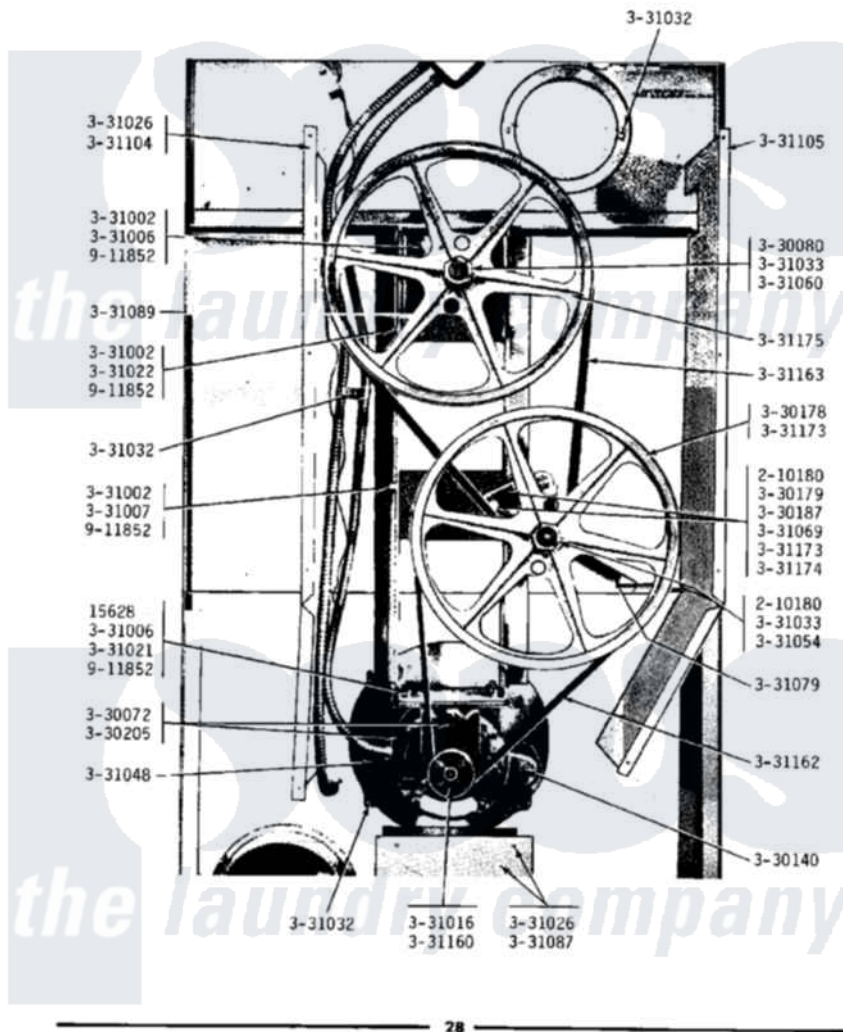


# Maytag GDG31CT 09 - REAR VIEW-SHIELD REMOVED

**MODEL DG31CA-CM-CT REAR VIEW - SHIELD REMOVED**



Maytag Commercial Maytag GDG31CT Dryer Parts Parts Diagram 09 - REAR VIEW-SHIELD REMOVED  
 Click on the part number to view part

Item	Original Part Number	Replaced By	Status	Part Description
NI	NLA		Not Available	BOLT, 5/16 X 3/4 HEX
002	210180		Not Available	RETAINING RING
003	Y330072		Not Available	MOTOR COMPLETE
004	Y330080		Not Available	SPIDER & SHAFT ASSEMBLY
NI	NLA		Not Available	CAPICATOR
006	<a href="#">Y330178</a>			Reduction Pulley
007	<a href="#">Y330179</a>			Bracket And Pin
008	330187		Not Available	IDLER ARM ASSEMBLY WITH PIN
NI	NLA		Not Available	MOTOR BASE WITH CLAMPS
"	NLA		Not Available	BOLT FOR DRUM
"	NLA		Not Available	NUT-DRUM SUPPORT BOLT, 5/16
"	NLA		Not Available	NUT-DRUM SUPPORT BOLT, 3/8
"	NLA		Not Available	SET SCREW FOR MOTOR PULLEY

"	NLA		Not Available	WASHER - MOTOR SUPPORT BOLT
"	NLA		Not Available	WASHER FOR DRUM SUPPORT
016	331026	<a href="#">90767</a>		Screw, 8A X 3/8 HeX Washer Head Tapping
017	331032	<a href="#">61002031</a>		Screw, Handle
018	<a href="#">331033</a>			Hex Nut-Drum Pulley Shaft
019	331048		Not Available	COVER FOR BLOWER IMPELLER
020	<a href="#">331054</a>			Grease Fitting - Pulley Pin
021	<a href="#">331060</a>			Key For Drum
022	<a href="#">331069</a>			Pivot Pin For Tension Arms
023	331079		Not Available	TENSION SPRING
NI	NLA		Not Available	SHIELD FOR MOTOR
025	<a href="#">331089</a>			Shim For Drum Rod
NI	NLA		Not Available	SUPPORT FOR REAR COVER-LEFT
"	NLA		Not Available	RIB, TUMBLER (ONLY)
028	<a href="#">331160</a>			Motor Pulley
029	<a href="#">331162</a>	<a href="#">A55</a>		Multiplus Dual Brand V Belt
030	331163	<a href="#">33331163</a>		V-Belt
031	331173		Not Available	WASHER
032	331174		Not Available	IDLER BRACKET
033	331175		Not Available	DRUM PULLEY
034	911852	<a href="#">486009</a>		Lockwasher

*the laundry company®*

*the laundry company®*