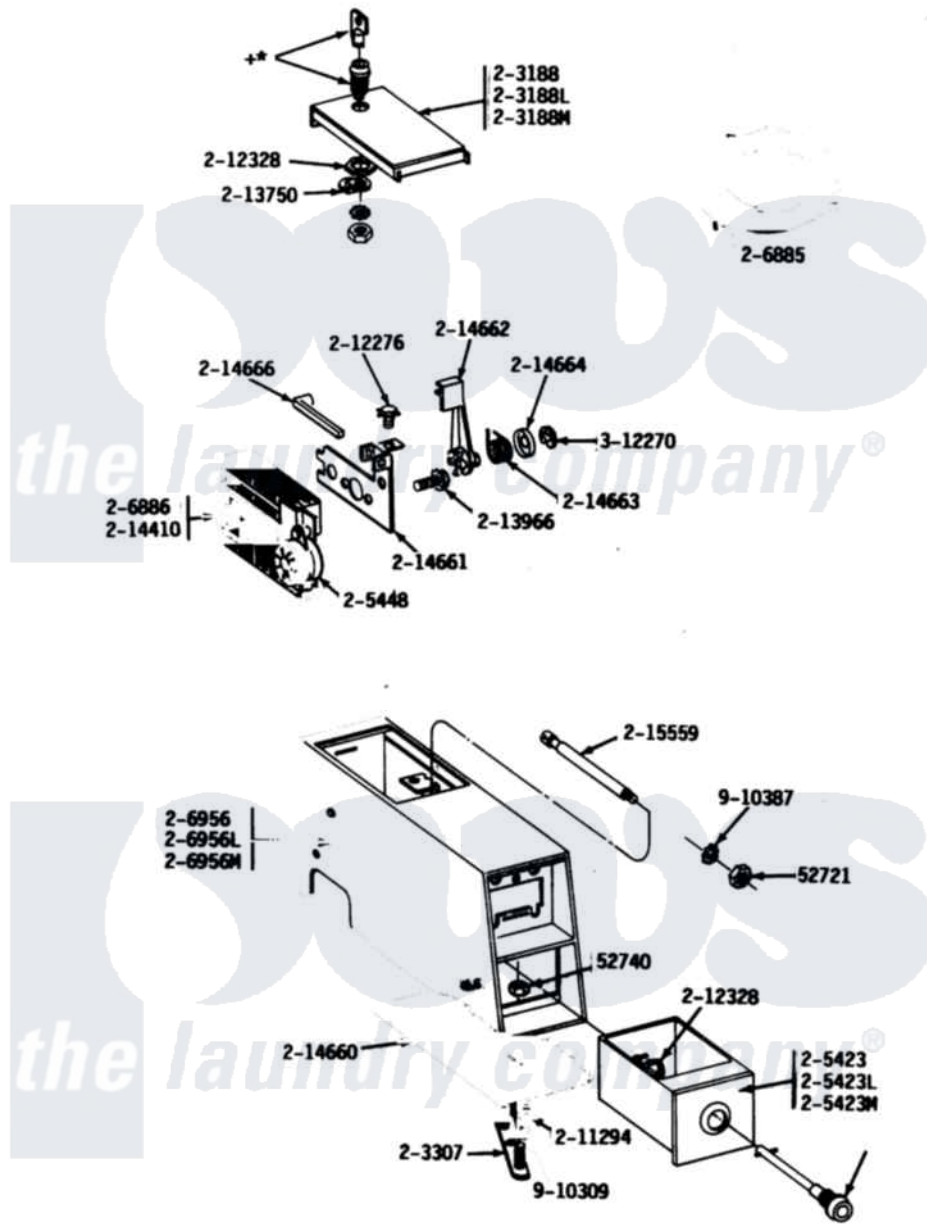


Maytag LA25CME 03 - CONTROL CENTER



Maytag [Commercial Maytag LA25CME Washer Parts](#) Parts Diagram 03 - CONTROL CENTER
 Click on the part number to view part

Item	Original Part Number	Replaced By	Status	Part Description
001	Y052721			Nut, Terminal Block Plate
002	Y052740	62739		Nut, Lock
003	203188		Not Available	TIMER ACCESS DOOR (WHT)
"	203188L		Not Available	ACCESS DOOR-ALMOND
"	203188M		Not Available	ACCESS DOOR-HARVEST WHEAT
004	NLA		Not Available	MTG. STRAP----NA
005	205423	208883		Coin Box K
"	205423L	208883		Coin Box K
"	205423M	208883		Coin Box K
006	205448		Not Available	MOTOR, TIMER (120-60)
007	NLA		Not Available	WIRE HARNESS
008	206886	12001906		Timer
009	206917		Not Available	TIMER & ACUTATOR ASSEMBLY
010	206956	22001405		Case, Coin Slide

"	206956L	22001405	Case, Coin Slide
"	206956M	22001405	Case, Coin Slide
011	211294	90767	Screw, 8A X 3/8 HeX Washer Head Tapping
012	212276	W10116760	Screw
013	212328	W10139762	Hex Nut, 3/4-27
014	213750	W10133266	Cam-Lock
015	213966	3400014	Screw
016	214410		Label, Timer Caution
017	214660		Gasket, Control Center
018	214661		Bracket For Timer
019	214662	22001042	Pivot Arm, Timer
020	214663		Spring For Timer Lever
021	214664	22001398	Retainer, Spring---NA
022	214666	216442	Rod, Actuator
023	215559		Bolt, Coin Slide Locking
024	Y312270		Clip, Spring Retainer
025	910309		Washer, Mounting Strap
026	910387		Lockwasher, Vault Assembly

