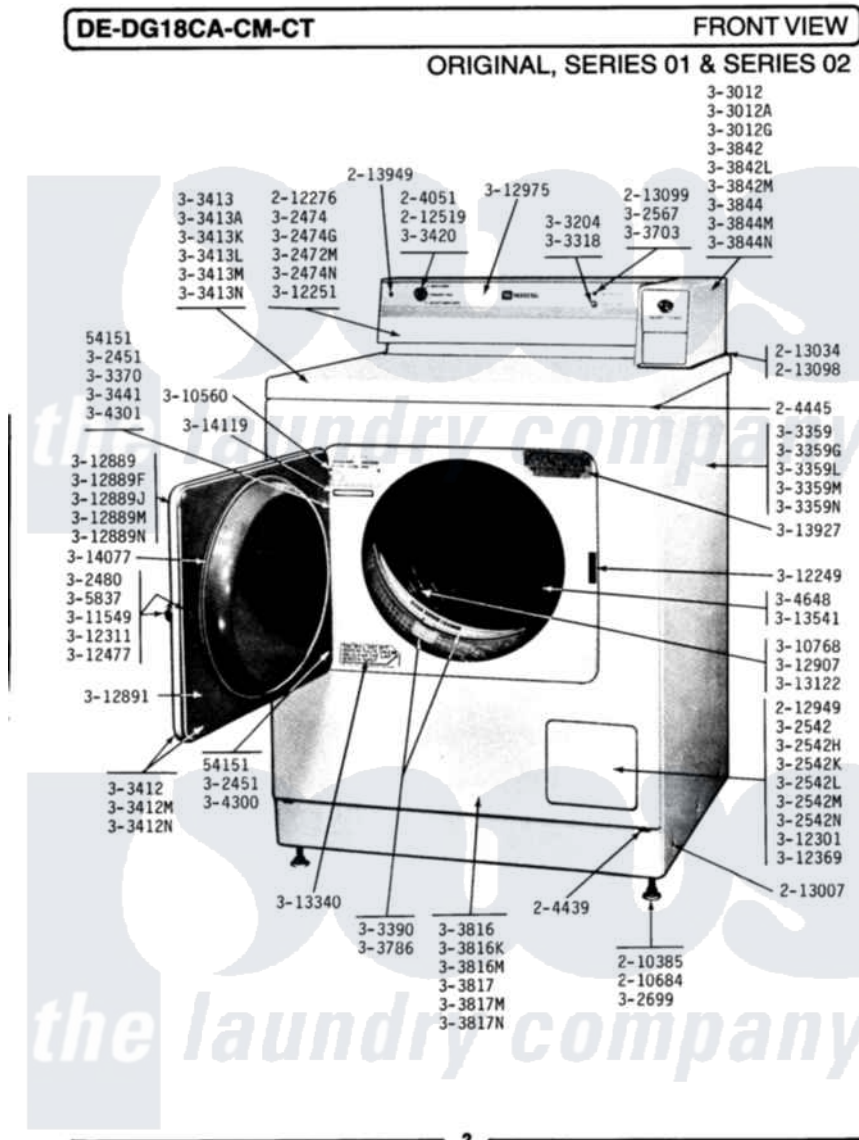


# Maytag LDE18CT 01 - FRONT VIEW



Maytag [Commercial Maytag LDE18CT Dryer Parts](#) Parts Diagram 01 - FRONT VIEW  
 Click on the part number to view part

| Item | Original Part Number   | Replaced By               | Status        | Part Description               |
|------|------------------------|---------------------------|---------------|--------------------------------|
| 001  | NLA                    |                           | Not Available | SCREW, No.4-40 X 1/4           |
| 002  | 204051                 | <a href="#">22204051</a>  |               | Knob                           |
| 003  | <a href="#">204439</a> |                           |               | Screw And Fstner Assembly      |
| 004  | <a href="#">204445</a> |                           |               | Screw And Fastener Assembly    |
| 005  | <a href="#">210385</a> |                           |               | Lock Nut For Adjustable Leg    |
| 006  | <a href="#">210684</a> |                           |               | Foot, Adjustable Leg           |
| 007  | 212276                 | <a href="#">W10116760</a> |               | Screw                          |
| 008  | <a href="#">212519</a> | <a href="#">488234</a>    |               | Screw 8-32 X 1/4               |
| 009  | 212949                 | <a href="#">22001866</a>  |               | Screw, Relay                   |
| 010  | <a href="#">213007</a> |                           |               | Xfor Cabinet See Cabinet, Back |
| 011  | NLA                    |                           | Not Available | GASKET UNDER CONTROL CENTER    |
| 012  | <a href="#">213099</a> |                           |               | Lens For Control Panel         |
| 013  | <a href="#">213949</a> |                           |               | Screw, No.8-18 X 5/16 Inch     |
| 014  | NLA                    |                           | Not Available | HINGE ASSEMBLY----N            |
| 015  | NLA                    |                           | Not Available | CONTROL COVER-WHITE            |

|     |                         |                          |               |                                |
|-----|-------------------------|--------------------------|---------------|--------------------------------|
| 016 | NLA                     |                          | Not Available | CONTROL COVER-HARVEST WHEAT    |
| 017 | NLA                     |                          | Not Available | LATCH                          |
| 018 | NLA                     |                          | Not Available | PILOT LIGHT                    |
| 019 | Y302699                 | <a href="#">22003428</a> |               | Leg, Adjustable                |
| 020 | <a href="#">Y303318</a> |                          |               | Switch Assembly With Hex Nu    |
| 021 | NLA                     |                          | Not Available | CABINET-WHITE                  |
| 022 | NLA                     |                          | Not Available | CABINET-ALMOND                 |
| 023 | NLA                     |                          | Not Available | CABINET-HARVEST WHEAT          |
| 024 | <a href="#">Y303370</a> |                          |               | Door Switch                    |
| 025 | Y303390                 |                          | Not Available | LINT SCREEN                    |
| 026 | NLA                     |                          | Not Available | DOOR COMPLETE-WHITE            |
| 027 | NLA                     |                          | Not Available | DOOR COMPLETE-HARVEST WHEAT    |
| 028 | NLA                     |                          | Not Available | TOP COVER-WHITE                |
| 029 | NLA                     |                          | Not Available | TOP COVER-ALMOND               |
| 030 | NLA                     |                          | Not Available | TOP COVER-HARVEST WHEAT        |
| 031 | Y303420                 |                          | Not Available | SELECTOR SWITCH                |
| 032 | Y303786                 |                          | Not Available | LINT SCREEN WITH RETAINER      |
| 033 | NLA                     |                          | Not Available | FRONT PANEL-WHITE              |
| 034 | NLA                     |                          | Not Available | FRONT PANEL-HARVEST WHEAT      |
| 035 | NLA                     |                          | Not Available | CONTROL CENTER-WHITE           |
| 036 | NLA                     |                          | Not Available | CONTROL CENTER-ALMOND          |
| 037 | NLA                     |                          | Not Available | CONTROL CENTER-HARVEST WHEA    |
| 038 | NLA                     |                          | Not Available | HINGE - LOWER                  |
| 039 | NLA                     |                          | Not Available | HINGE - UPPER                  |
| 040 | Y304648                 | <a href="#">33001106</a> |               | Back, Tumbler                  |
| 041 | NLA                     |                          | Not Available | KNOB AND SCREW                 |
| 042 | 310560                  | <a href="#">74004005</a> |               | Screw, 6-32 X 5/16"            |
| 043 | NLA                     |                          | Not Available | WASHER                         |
| 044 | NLA                     |                          | Not Available | WIRE CLIP                      |
| 045 | NLA                     |                          | Not Available | STRIKE PLATE                   |
| 046 | NLA                     |                          | Not Available | BACK FOR CONTROL PANEL         |
| 047 | NLA                     |                          | Not Available | SCREW---NA                     |
| 048 | NLA                     |                          | Not Available | MAGNETIC LATCH RETAINER        |
| 049 | NLA                     |                          | Not Available | DOOR PANEL-WHITE               |
| 050 | NLA                     |                          | Not Available | DOOR PANEL-HAVEST WHEAT        |
| 051 | Y312891                 |                          | Not Available | DOOR LINER - INNER HALF        |
| 052 | <a href="#">Y312907</a> |                          |               | Tumbler Baffle                 |
| 053 | NLA                     |                          | Not Available | CONTROL PANEL                  |
| 054 | <a href="#">313122</a>  |                          |               | Screw - Baffle To Tumbler      |
| 055 | <a href="#">Y313340</a> |                          |               | LABEL, LINT SCREEN INSTRUCTION |
| 056 | Y313541                 | <a href="#">33313541</a> |               | Seal- Tumbler                  |
| 057 | <a href="#">Y313927</a> |                          |               | INSTRUCTION LABEL              |
| 058 | <a href="#">314077</a>  |                          |               | Door Seal                      |
| 059 | NLA                     |                          | Not Available | GAS IGNITION LABEL             |