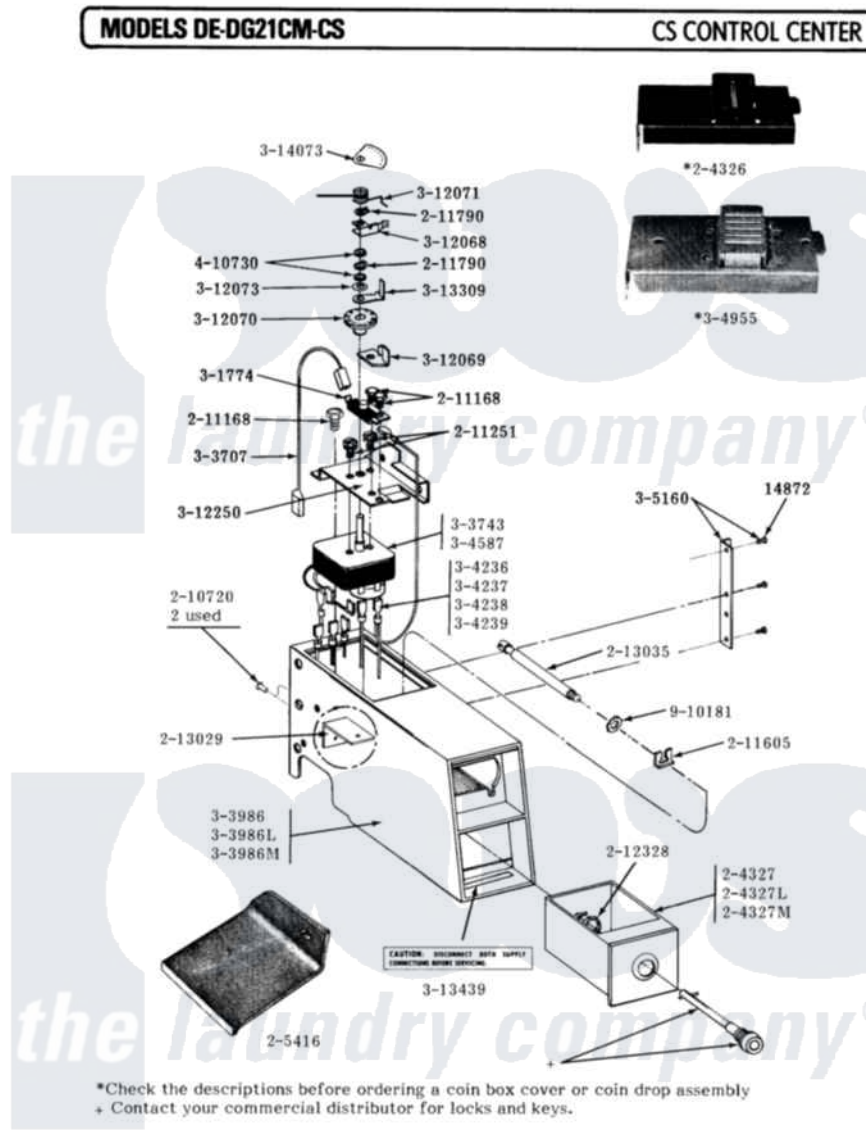


Maytag LDE21CS 04 - CONTROL CENTER



Maytag [Commercial Maytag LDE21CS Dryer Parts](#) Parts Diagram 04 - CONTROL CENTER
 Click on the part number to view part

Item	Original Part Number	Replaced By	Status	Part Description
001	Y014872			Screw, Coin Meter Stop -
002	NLA		Not Available	COIN BOX, WHITE
003	205416			Guard For Coin Box
004	210720			Rivet, Bearing To Tumbler Frnt
005	211168	W10139210		Screw, 8-18 X 5/16
006	211251			Screw, Transformer
007	211605			Bezel, Timer Dial
008	211790			Lock Ring For Timer Shaft
009	212328	W10139762		Hex Nut, 3/4-27
010	213029			Timer Support Bracket
011	213035			Bolt, Locking
012	Y301774			Switch For Coin Slide
013	Y303707			Wire Assembly
014	Y303743			Timer
015	NLA		Not Available	OUTER CASE-WHITE
016	NLA		Not Available	WIRE HARNESS-UPPER

017	NLA	Not Available	WIRE HARNESS-LOWER
018	NLA	Not Available	TIMER MOTOR
019	NLA	Not Available	COIN BOX COVER
020	NLA	Not Available	COIN METER STOP W/SCREWS
021	Y312068		Return Lever
022	Y312069		Stop For Actuator
023	NLA	Not Available	RATCHET, TIMER
024	Y312071		Return Spring For Actuator
025	312073		Spring Washer
026	312250		Timer Support Bracket
027	Y313309		Timer Actuator Lever
028	Y313439	Not Available	INSTRUCTION LABEL
029	314073		Time Indicator Gage
030	410730		Washer
031	910181		Lockwasher, Terminal Block

