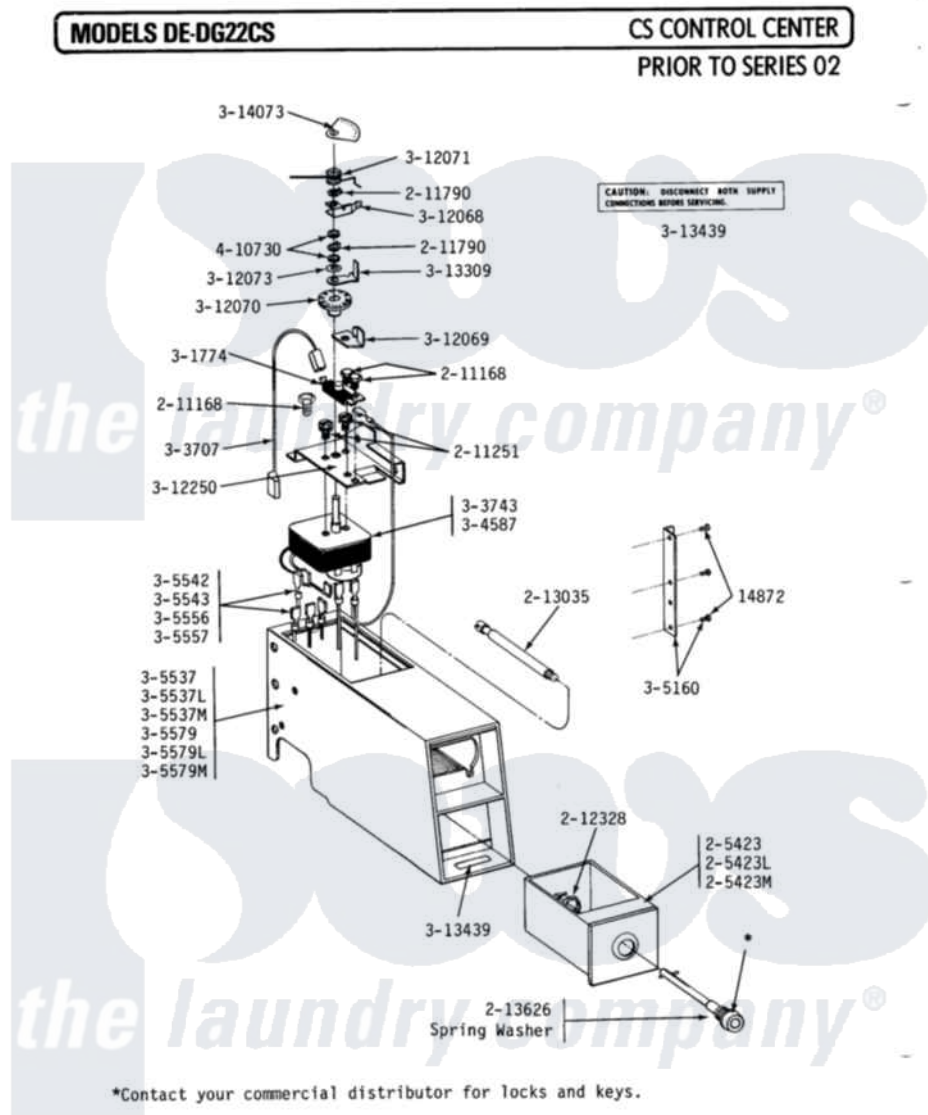


# Maytag LDE22CS 05 - CONTROL CENTER (SERIES 00)



Maytag Commercial Maytag LDE22CS Dryer Parts Parts Diagram 05 - CONTROL CENTER (SERIES 00)  
Click on the part number to view part

Item	Original Part Number	Replaced By	Status	Part Description
001	<a href="#">Y014872</a>			Screw, Coin Meter Stop -
002	205423	<a href="#">208883</a>		Coin Box K
"	205423L	<a href="#">208883</a>		Coin Box K
003	211168	<a href="#">W10139210</a>		Screw, 8-18 X 5/16
004	<a href="#">211251</a>			Screw, Transformer
005	<a href="#">211790</a>			Lock Ring For Timer Shaft
006	212328	<a href="#">W10139762</a>		Hex Nut, 3/4-27
007	<a href="#">213035</a>			Bolt, Locking
008	NLA		Not Available	SPRING WASHER FOR LOCK
009	<a href="#">Y301774</a>			Switch For Coin Slide
010	<a href="#">Y303707</a>			Wire Assembly
011	<a href="#">Y303743</a>			Timer
012	NLA		Not Available	TIMER MOTOR
013	NLA		Not Available	COIN METER STOP WITH SCREWS
014	305537		Not Available	OUTER CASE-WHITE

"	NLA	Not Available	OUTER CASE-ALMOND
015	NLA	Not Available	WIRE HARNESS-LOWER
016	NLA	Not Available	WIRE HARNESS-UPPER
017	NLA	Not Available	CONTROL CENTER-WHITE
018	<a href="#">Y312068</a>		Return Lever
019	<a href="#">Y312069</a>		Stop For Actuator
020	NLA	Not Available	RATCHET FOR TIMER
021	<a href="#">Y312071</a>		Return Spring For Actuator
022	<a href="#">312073</a>		Spring Washer
023	<a href="#">312250</a>		Timer Support Bracket
024	<a href="#">Y313309</a>		Timer Actuator Lever
025	Y313439	Not Available	INSTRUCTION LABEL
026	<a href="#">314073</a>		Time Indicator Gage
027	<a href="#">410730</a>		Washer

