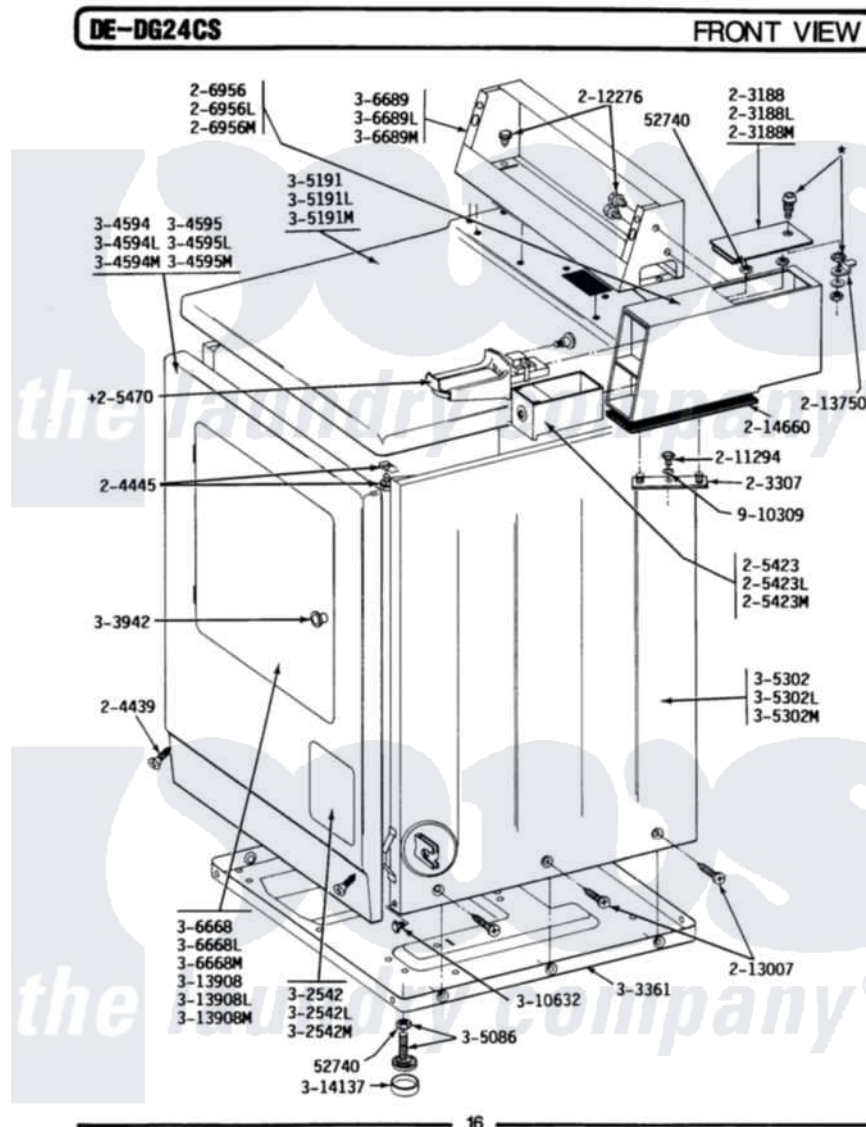


Maytag LDE24CM 09 - MAYTAG COIN SLIDE



Maytag [Commercial Maytag LDE24CM Dryer Parts](#) Parts Diagram 09 - MAYTAG COIN SLIDE
 Click on the part number to view part

Item	Original Part Number	Replaced By	Status	Part Description
001	205343		Not Available	LOWER GAGE ARM ASSEMBLY
002	NLA		Not Available	RETAINER
003	NLA		Not Available	MEASURING BLOCK ASSEMBLY
004	NLA		Not Available	MAYTAG COIN SLIDE
005	NLA		Not Available	MOVABLE COIN GAGE
006	NLA		Not Available	SLIDE PLATE W/NICKEL INSERT
007	212707	3196385		Screw
008	214572		Not Available	ARM, RATCHET
009	NLA		Not Available	STUD FOR COIN SLIDE
010	NLA		Not Available	END BRACKET FOR SLIDE
011	214578			Gate For Coin Opening
012	NLA		Not Available	RETAINER FOR GATE
013	NLA		Not Available	RETAINER FOR GAGE SPRING
014	214581			Spring, Return

015	214582		Spring For Ratchet Arm
016	NLA	Not Available	PIN FOR LOWER GAGE ARM
017	214584	Not Available	HOUSING FOR COIN SLIDE
018	214589		Clip, Spring
019	NLA	Not Available	PLUG FOR COIN OPENING
020	214594	Not Available	BASE INSERT FOR HOUSING
021	NLA	Not Available	SLIDE BODY
022	214596		Spring For Lower Gage Arm
023	214597		Screw
024	NLA	Not Available	SET SCREW FOR GAGE
025	NLA	Not Available	DIME INSERT
026	214648		Decal, Coinage
027	NLA	Not Available	LOWER GAGE ARM
028	NLA	Not Available	NICKEL INSERT
029	314334		Bracket For Coin Slide

