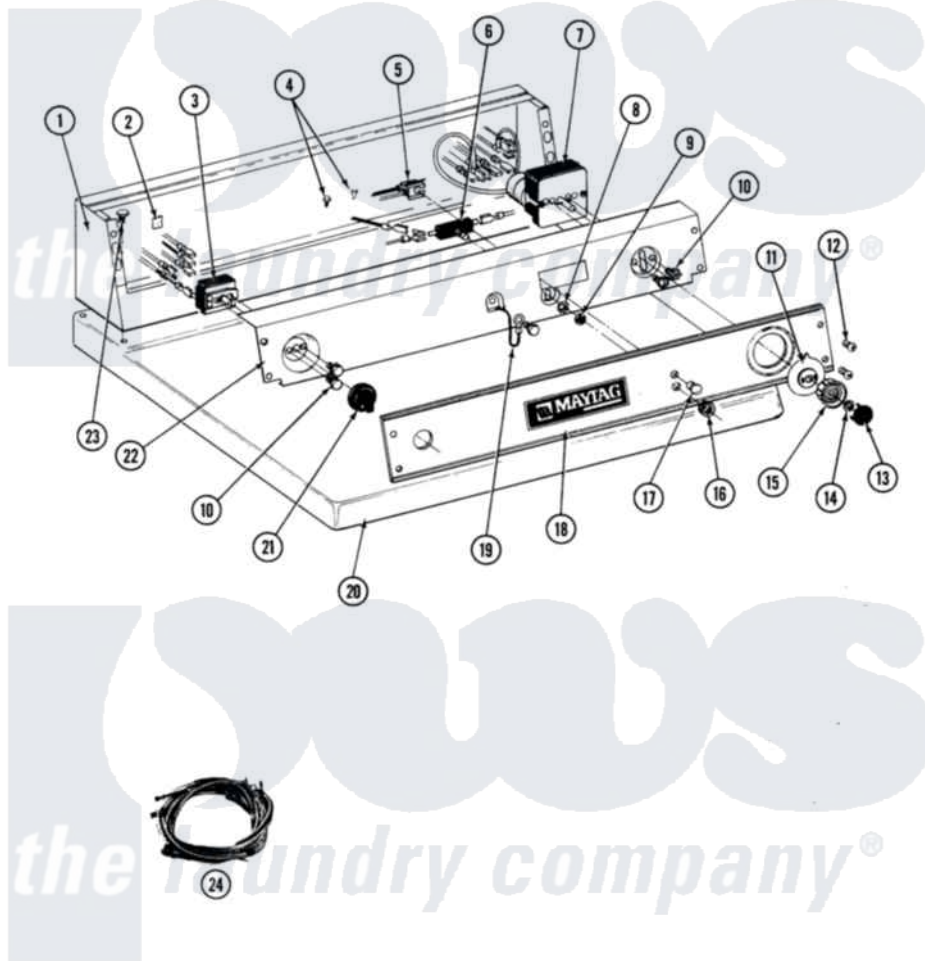


Maytag LDE26CA 03 - CONTROL PANEL-CA MODELS

SECTION: CA CONTROL PANEL
 MODEL: DE-DG26CA



Issue Date: 11/90

22

[Maytag Commercial Maytag LDE26CA Dryer Parts Parts Diagram 03 - CONTROL PANEL-CA MODELS](#)
 Click on the part number to view part

Item	Original Part Number	Replaced By	Status	Part Description
001	NLA		Not Available	CONSOLE (WHT)
002	215003			Fastener, Panel And Bracket
003	307237	W10327105		Switch, Cycle Selection
004	211294	90767		Screw, 8A X 3/8 HeX Washer Head Tapping
005	204075		Not Available	PILOT LAMP (DG MODELS ONLY)
006	306940	W10149462		Switch, Push-To-Start
007	305214			Timer
"	305215	305214		Timer
"	Y304585			Timer Motor RPR For 305214 Timer Only
008	312751			Lockwasher, Start Switch
009	Y312706	422617		Nut
010	Y313588	488234		Screw 8-32 X 1/4
011	314725	33001500		Dial, Timer Indicator
012	212277			Screw, No.8 X 1/2 Inch

013	314723	W10133501	Cap, Knob
014	312273		Nut, Control Knob
015	314724		Knob For Timer
016	Y312702		Knurled Nut, Start Switch
017	215564		Lens, Indicator Light
018	314909	33001021	Panel, Control
019	205810		Wire, Ground
"	211252		Screw, Ground Wire
020	307104		Top Cover Assembly
"	NLA	Not Available	(ALM)
021	306938		Knob, Selector Switch
022	NLA	Not Available	BACK UP PLATE (WHT)
023	212276	W10116760	Screw
024	NLA	Not Available	WIRE HARNESS

