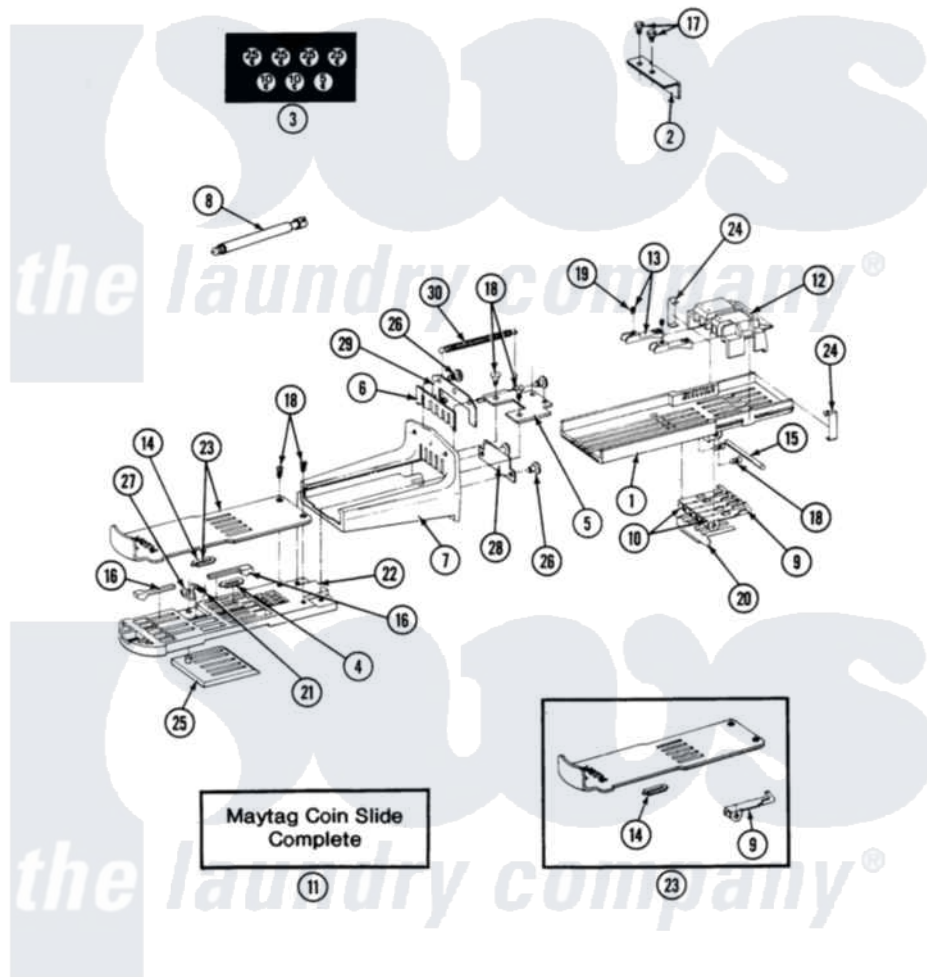


# Maytag LDE26CS 03 - MAYTAG COIN SLIDE-ACCESSORY

MODEL DE-DG26CS MAYTAG COIN SLIDE ACCESSORY



Maytag [Commercial Maytag LDE26CS Dryer Parts](#) Parts Diagram 03 - MAYTAG COIN SLIDE-ACCESSORY  
 Click on the part number to view part

Item	Original Part Number	Replaced By	Status	Part Description
001	214594		Not Available	BASE INSERT FOR HOUSING
002	<a href="#">314334</a>			Bracket For Coin Slide
003	<a href="#">214648</a>			Decal, Coinage
004	NLA		Not Available	DIME INSERT
005	NLA		Not Available	END BRACKET, SLIDE
006	<a href="#">214578</a>			Gate For Coin Opening
007	214584		Not Available	HOUSING FOR COIN SLIDE
008	<a href="#">213035</a>			Bolt, Locking
009	NLA		Not Available	LOWER GAGE ARM
010	205343		Not Available	LOWER GAGE ARM ASSEMBLY
011	NLA		Not Available	MAYTAG COIN SLIDE
012	NLA		Not Available	MEASURING BLOCK ASSEMBLY
013	NLA		Not Available	MOVABLE COIN GAGE
014	NLA		Not Available	NICKEL INSERT

015	NLA		Not Available	PIN, LOWER GAGE ARM
016	NLA		Not Available	PLUG, COIN OPENING
017	212707	<a href="#">3196385</a>		Screw
018	<a href="#">214597</a>			Screw
019	NLA		Not Available	SET SCREW, GAGE
020	<a href="#">214596</a>			Spring For Lower Gage Arm
021	<a href="#">214582</a>			Spring For Ratchet Arm
022	NLA		Not Available	SLIDE BODY
023	NLA		Not Available	SLIDE PLATE W/NICKEL INSERT
024	<a href="#">214589</a>			Clip, Spring
025	<a href="#">205350</a>			Stop Block Assembly
026	NLA		Not Available	STUD, COIN SLIDE
027	214572		Not Available	ARM, RATCHET
028	NLA		Not Available	RETAINER, GAGE SPRING
029	NLA		Not Available	RETAINER, GATE
030	<a href="#">214581</a>			Spring, Return

