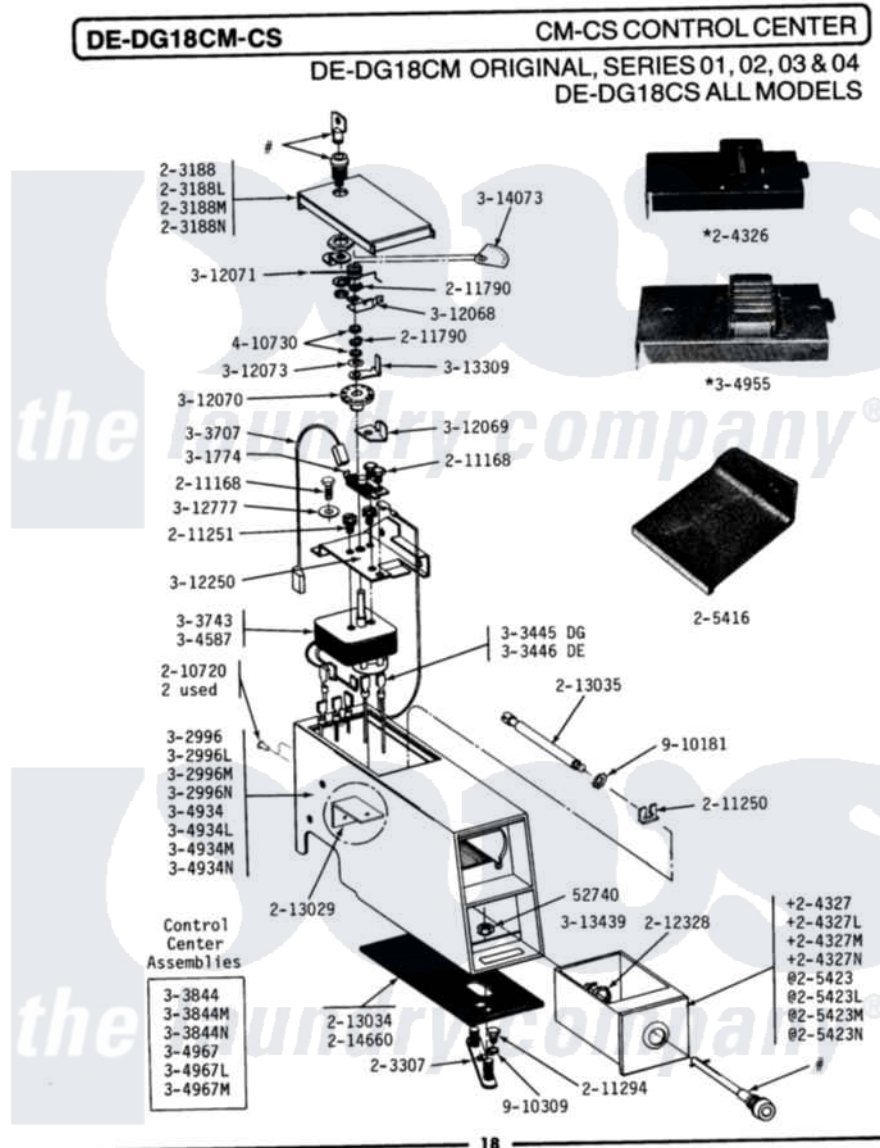


Maytag LDG18CM 06 - CM CONTROL CENTER



Maytag Commercial Maytag LDG18CM Dryer Parts Parts Diagram 06 - CM CONTROL CENTER
 Click on the part number to view part

| Item | Original Part Number | Replaced By | Status | Part Description |
|------|-------------------------|------------------------|---------------|--------------------------------|
| 001 | Y052740 | 62739 | | Nut, Lock |
| 002 | 203188 | | Not Available | TIMER ACCESS DOOR (WHT) |
| 003 | 203188L | | Not Available | ACCESS DOOR-ALMOND |
| 004 | 203188M | | Not Available | ACCESS DOOR-HARVEST WHEAT |
| 005 | NLA | | Not Available | MTG. STRAP---NA |
| 006 | NLA | | Not Available | COIN DROP ASSEMBLY |
| 007 | NLA | | Not Available | COIN BOX-WHITE---NA |
| 008 | NLA | | Not Available | COIN BOX-ALMOND |
| 009 | NLA | | Not Available | COIN BOX - HARVEST WHEAT |
| 010 | 205416 | | | Guard For Coin Box |
| 011 | 205423 | 208883 | | Coin Box K |
| 012 | 205423L | 208883 | | Coin Box K |
| 013 | 205423M | 208883 | | Coin Box K |
| 014 | 210720 | | | Rivet, Bearing To Tumbler Frnt |

| | | | | |
|-----|-------------------------|---------------------------|---------------|---|
| 015 | 211168 | W10139210 | | Screw, 8-18 X 5/16 |
| 016 | NLA | | Not Available | FASTENER |
| 017 | NLA | | Not Available | FASTENER |
| 018 | 211251 | | | Screw, Transformer |
| 019 | 211294 | 90767 | | Screw, 8A X 3/8 HeX Washer Head Tapping |
| 020 | 211790 | | | Lock Ring For Timer Shaft |
| 021 | 212328 | W10139762 | | Hex Nut, 3/4-27 |
| 022 | 213029 | | | Timer Support Bracket |
| 023 | NLA | | Not Available | GASKET UNDER CONTROL CENTER |
| 024 | 213035 | | | Bolt, Locking |
| 025 | Y301774 | | | Switch For Coin Slide |
| 026 | NLA | | Not Available | OUTER CASE-WHITE |
| 027 | NLA | | Not Available | OUTER CASE-ALMOND |
| 028 | NLA | | Not Available | OUTER CASE-HARVEST WHEAT |
| 029 | Y303707 | | | Wire Assembly |
| 030 | Y303743 | | | Timer |
| 031 | Y303445 | | Not Available | MAIN WIRE HARNESS |
| 032 | NLA | | Not Available | CONTROL CENTER-WHITE |
| 033 | NLA | | Not Available | CONTROL CENTER-WHITE |
| 034 | NLA | | Not Available | TIMER MOTOR |
| 035 | NLA | | Not Available | OUTER CASE-ALMOND |
| 036 | NLA | | Not Available | OUTER CASE-HARVEST WHEAT---NA |
| 037 | NLA | | Not Available | COIN BOX COVER |
| 038 | Y312068 | | | Return Lever |
| 039 | Y312069 | | | Stop For Actuator |
| 040 | NLA | | Not Available | RATCHET FOR TIMER |
| 041 | Y312071 | | | Return Spring For Actuator |
| 042 | 312073 | | | Spring Washer |
| 043 | 312250 | | | Timer Support Bracket |
| 044 | NLA | | Not Available | WASHER |
| 045 | Y313309 | | | Timer Actuator Lever |
| 046 | Y313439 | | Not Available | INSTRUCTION LABEL |
| 047 | 314073 | | | Time Indicator Gage |
| 048 | 410730 | | | Washer |
| 049 | 910181 | | | Lockwasher, Terminal Block |
| 050 | 910309 | | | Washer, Mounting Strap |