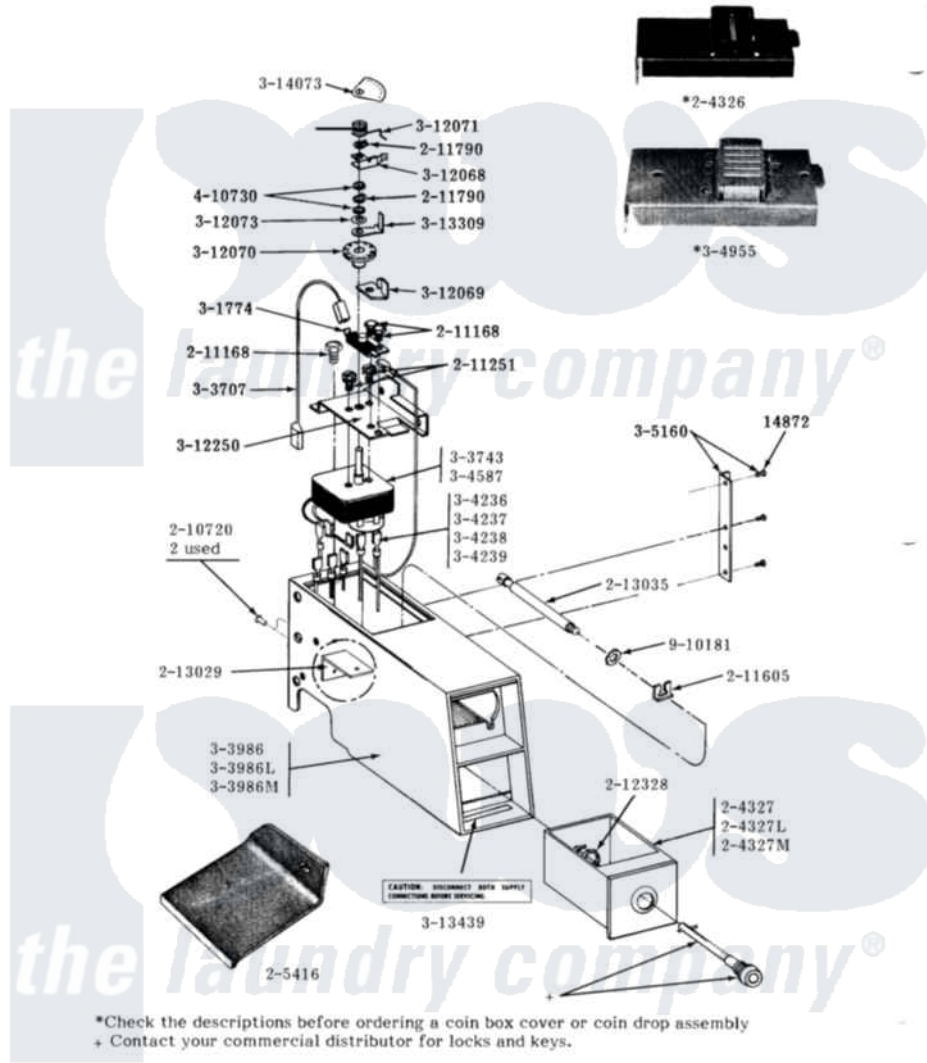


Maytag LDG21CS 04 - CONTROL CENTER

MODELS DE-DG21CM-CS **CS CONTROL CENTER**



Maytag Commercial Maytag LDG21CS Dryer Parts Parts Diagram 04 - CONTROL CENTER
Click on the part number to view part

| Item | Original Part Number | Replaced By | Status | Part Description |
|------|-------------------------|---------------------------|---------------|--------------------------------|
| 001 | Y014872 | | | Screw, Coin Meter Stop - |
| 002 | NLA | | Not Available | COIN BOX-WHITE----NA |
| 003 | 205416 | | | Guard For Coin Box |
| 004 | 210720 | | | Rivet, Bearing To Tumbler Frnt |
| 005 | 211168 | W10139210 | | Screw, 8-18 X 5/16 |
| 006 | 211251 | | | Screw, Transformer |
| 007 | 211605 | | | Bezel, Timer Dial |
| 008 | 211790 | | | Lock Ring For Timer Shaft |
| 009 | 212328 | W10139762 | | Hex Nut, 3/4-27 |
| 010 | 213029 | | | Timer Support Bracket |
| 011 | 213035 | | | Bolt, Locking |
| 012 | Y301774 | | | Switch For Coin Slide |
| 013 | Y303707 | | | Wire Assembly |
| 014 | Y303743 | | | Timer |
| 015 | NLA | | Not Available | OUTER CASE-WHITE |
| 016 | NLA | | Not Available | WIRE HARNESS-UPPER |

| | | | |
|-----|-------------------------|---------------|-----------------------------|
| 017 | NLA | Not Available | WIRE HARNESS-LOWER |
| 018 | NLA | Not Available | TIMER MOTOR |
| 019 | NLA | Not Available | COIN BOX COVER |
| 020 | NLA | Not Available | COIN METER STOP WITH SCREWS |
| 021 | Y312068 | | Return Lever |
| 022 | Y312069 | | Stop For Actuator |
| 023 | NLA | Not Available | RATCHET FOR TIMER |
| 024 | Y312071 | | Return Spring For Actuator |
| 025 | 312073 | | Spring Washer |
| 026 | 312250 | | Timer Support Bracket |
| 027 | Y313309 | | Timer Actuator Lever |
| 028 | Y313439 | Not Available | INSTRUCTION LABEL |
| 029 | 314073 | | Time Indicator Gage |
| 030 | 410730 | | Washer |
| 031 | 910181 | | Lockwasher, Terminal Block |

