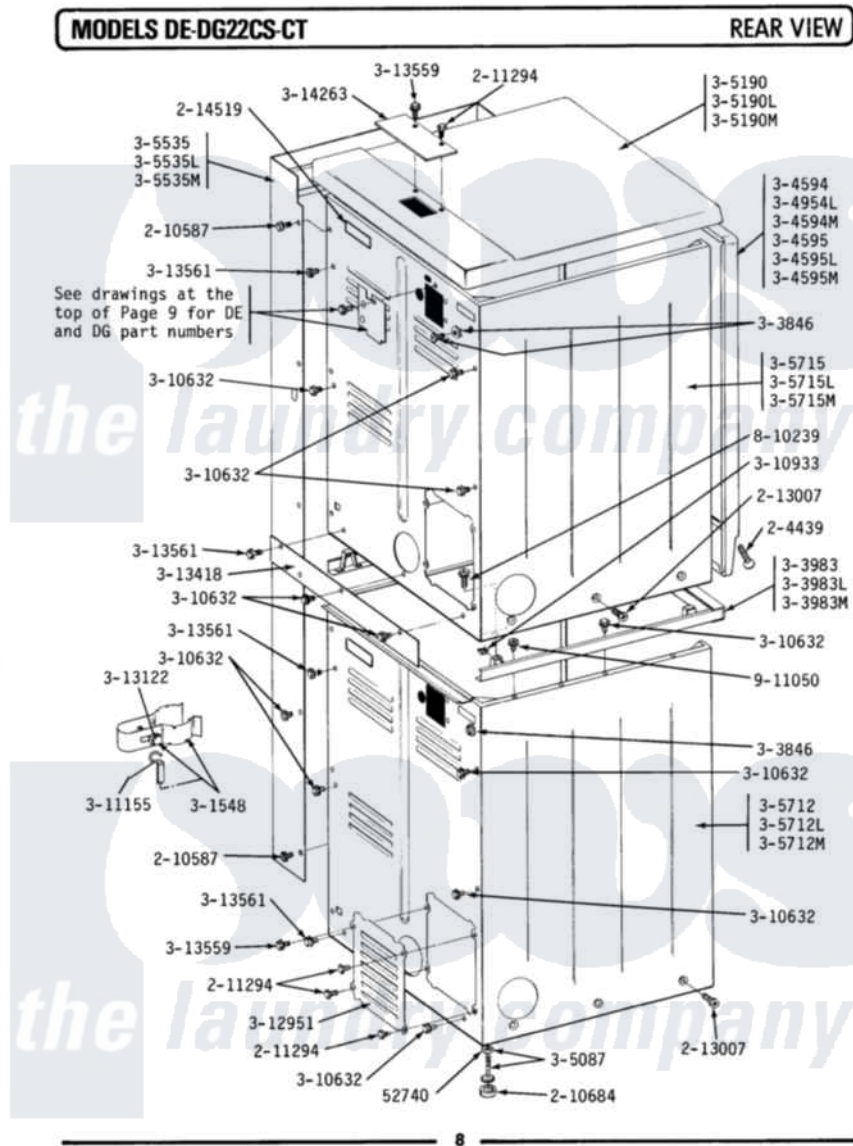


# Maytag LDG22CT 02 - REAR VIEW



Maytag Commercial Maytag LDG22CT Dryer Parts Parts Diagram 02 - REAR VIEW  
 Click on the part number to view part

| Item | Original Part Number    | Replaced By           | Status        | Part Description                                       |
|------|-------------------------|-----------------------|---------------|--|
| 001  | <a href="#">Y052740</a> | <a href="#">62739</a> |               | Nut, Lock  |
| 002  | <a href="#">204439</a>  |                       |               | Screw And Fstner Assembly                              |
| 003  | NLA                     |                       | Not Available | SCREW  |
| 004  | <a href="#">210684</a>  |                       |               | Foot, Adjustable Leg                                   |
| 005  | <a href="#">211294</a>  | <a href="#">90767</a> |               | Screw, 8A X 3/8 HeX Washer Head Tapping                |
| 006  | <a href="#">211881</a>  |                       |               | Grommet, Cord Part Not Used-Gas Models Only            |
| 007  | <a href="#">213007</a>  |                       |               | Xfor Cabinet See Cabinet, Back                         |
| 008  | <a href="#">214519</a>  |                       |               | LABEL, ELECTRICAL INSTR. PART NOT USED-GAS MODELS ONLY |
| 009  | <a href="#">301548</a>  |                       |               | Clamp, Ground Wire                                     |
| 010  | 302521                  |                       | Not Available | CORD, POWER PART NOT USED-GAS MODELS ONLY              |
| 011  | NLA                     |                       | Not Available | SCREW & WASHER ASSY.                                   |
| 012  | NLA                     |                       | Not Available | SPACER ASSY (WHT)                                      |
| 013  | NLA                     |                       | Not Available | FRONT PANEL (WHT)                                      |

|     |                         |                           |                                    |
|-----|-------------------------|---------------------------|------------------------------------|
| 014 | Y305087                 | <a href="#">22003544</a>  | Adjustable Leg W/Foot And Nut      |
| 015 | NLA                     |                           | Not Available (ALM)                |
| "   | Y305190                 | <a href="#">307104</a>    | Top Cover Assembly                 |
| 016 | NLA                     |                           | Not Available CONTROL SHROUD (WHT) |
| 017 | NLA                     |                           | Not Available CABINET (WHT)        |
| 018 | NLA                     |                           | Not Available CABINET (WHT)        |
| 019 | Y310632                 | <a href="#">1163839</a>   | Screw                              |
| 020 | 310933                  | <a href="#">33002194</a>  | Nut, Speed                         |
| 021 | <a href="#">311155</a>  |                           | Ground Wire And Clamp              |
| 022 | <a href="#">Y311270</a> |                           | Washer, Terminal Block             |
| 023 | Y311423                 | <a href="#">489483</a>    | Screw 10-32 X 1/2                  |
| 024 | <a href="#">311484</a>  | <a href="#">112432</a>    | Nut                                |
| 025 | <a href="#">Y312184</a> |                           | Strap, Grounding                   |
| 026 | <a href="#">Y312209</a> | <a href="#">W10001200</a> | Screw                              |
| 027 | Y312905                 |                           | Not Available COVER, TERMINAL      |
| 028 | Y312951                 |                           | Not Available ACCESS COVER, BACK   |
| 029 | <a href="#">313122</a>  |                           | Screw - Baffle To Tumbler          |
| 030 | NLA                     |                           | Not Available FILLER STRIP         |
| 031 | <a href="#">Y313559</a> |                           | Screw                              |
| 032 | <a href="#">Y313561</a> |                           | Screw----NA                        |
| 033 | NLA                     |                           | Not Available TOP COVER PLATE      |
| 034 | NLA                     |                           | Not Available SCREW                |
| 035 | 911050                  | <a href="#">4312464</a>   | Screw                              |

*the laundry company*<sup>®</sup>

*the laundry company*<sup>®</sup>