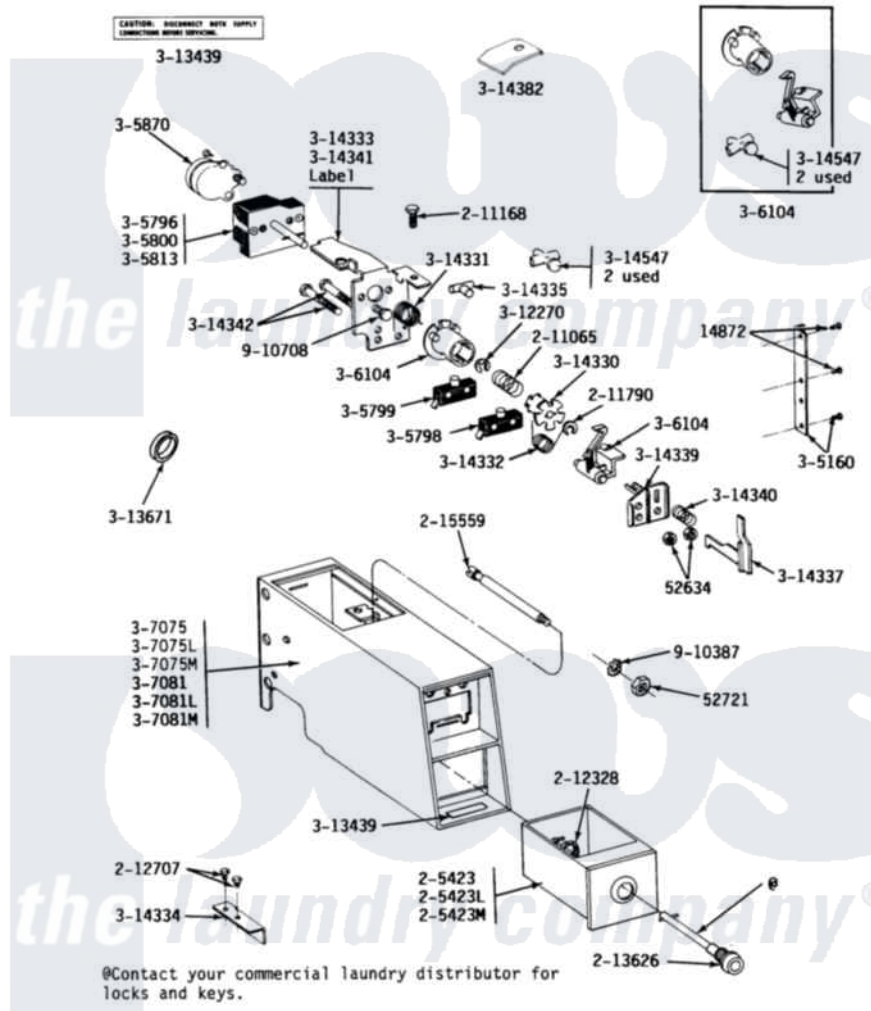


MODEL DE-DG25CS CS CONTROL CENTER



Maytag [Commercial Maytag LDG25CS Dryer Parts](#) Parts Diagram 05 - CONTROL CENTER
 Click on the part number to view part

Item	Original Part Number	Replaced By	Status	Part Description
001	Y014872			Screw, Coin Meter Stop -
002	Y052634	701719		Nut, Hex
003	Y052721			Nut, Terminal Block Plate
004	205423	208883		Coin Box K
"	205423L	208883		Coin Box K
005	211065			Spring, Index Wheel
006	211168	W10139210		Screw, 8-18 X 5/16
007	211790			Lock Ring For Timer Shaft
008	212328	W10139762		Hex Nut, 3/4-27
009	212707	3196385		Screw
010	NLA		Not Available	SPRING WASHER FOR LOCK
011	215559			Bolt, Coin Slide Locking
012	NLA		Not Available	COIN METER STOP WITH SCREWS
013	305796			Timer
014	305798		Not Available	BYPASS SWITCH FOR

014	305790	Not Available	MOTOR
015	Y305799		Bypass Switch For Heater
016	305800		Wire Harness For Timer
017	305813		Part Not Available Part Not Used
018	305870		Timer Motor
019	306104		Actuator Switch Kit
020	NLA	Not Available	WIRE HARNESS UPPER DG
021	NLA	Not Available	WIRE HARNESS LOWER DG
022	NLA	Not Available	COIN METER BOX ASSEMBLY - D25C
023	Y307081		Coin Meter Weld Assembly
"	NLA	Not Available	COIN METER WELD ASSY-ALM---NA
024	Y312270		Clip, Spring Retainer
025	Y313439	Not Available	INSTRUCTION LABEL
026	Y313671	33001303	Grommet, Plate Hole
027	314330	Not Available	DRIVER FOR INDEX WHEEL (NOT INCLUDED W/KIT)
028	314331		Spring, Torsion Return
029	314332		Spring, Actuator
030	314333		Timer Mounting Bracket
031	314334		Bracket For Coin Slide
032	314335		Peg, Tine Adjustment
033	314337	33002968	Slider
034	314339		Switch And Slider Bracket
035	NLA	Not Available	HELICAL SPRING ---N
036	NLA	Not Available	INSTRUCTION LABEL
037	NLA	Not Available	SCREW
038	NLA	Not Available	STOP FOR TIMER MECHANISM
039	314547	Y308109	Slide And Adj. Return Bracket
040	910387		Lockwasher, Vault Assembly
041	910708	488234	Screw 8-32 X 1/4

