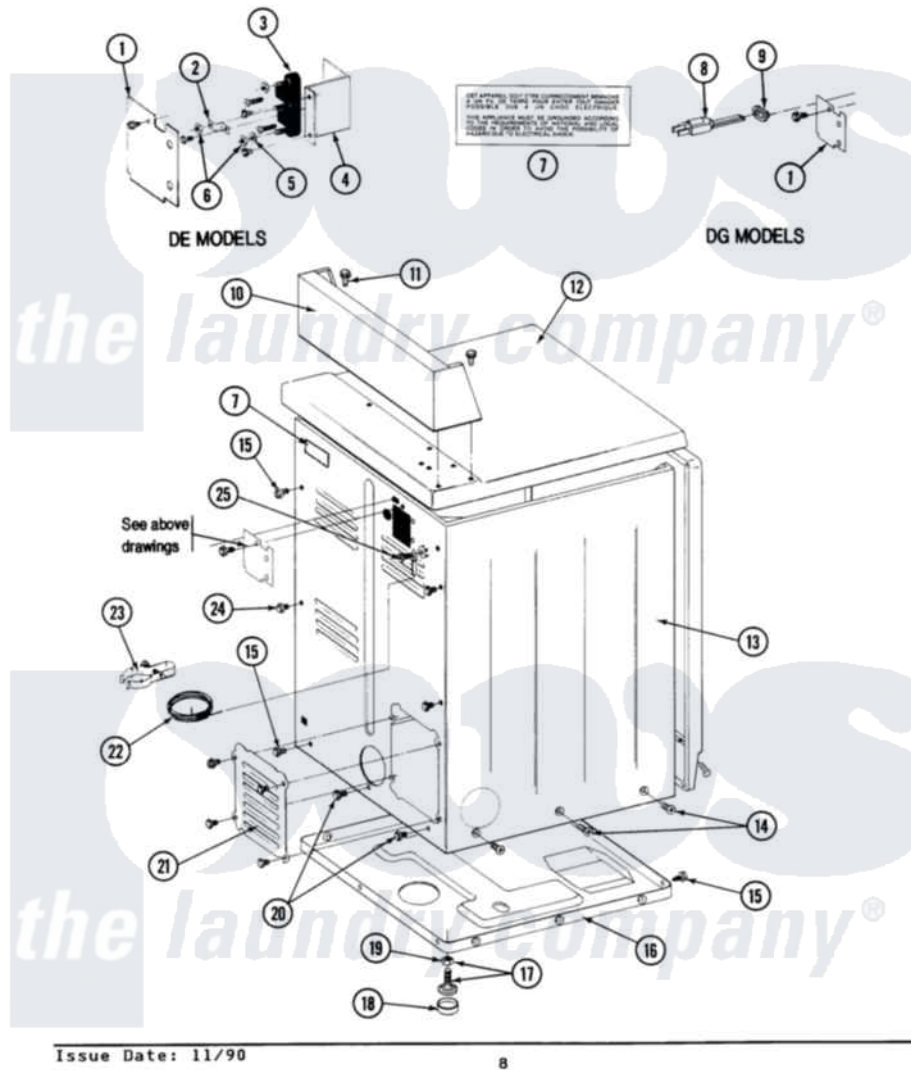


# Maytag LDG26CD 02 - REAR VIEW - CD/CT MODELS

SECTION: REAR VIEW  
MODEL: DE-DG26CD-CT



Maytag Commercial Maytag LDG26CD Dryer Parts Parts Diagram 02 - REAR VIEW - CD/CT MODELS  
Click on the part number to view part

| Item | Original Part Number    | Replaced By               | Status        | Part Description   |
|------|-------------------------|---------------------------|---------------|--|
| 001  | <a href="#">Y313561</a> |                           |               | Screw---NA   |
| "    | Y312905                 |                           | Not Available | COVER, TERMINAL  |
| 002  | Y311423                 | <a href="#">489483</a>    |               | Screw 10-32 X 1/2  |
| "    | <a href="#">Y312184</a> |                           |               | Strap, Grounding   |
| 003  | <a href="#">400008</a>  |                           |               | Block, Terminal  |
| "    | <a href="#">Y312209</a> | <a href="#">W10001200</a> |               | Screw  |
| 004  | <a href="#">Y313561</a> |                           |               | Screw---NA   |
| "    | Y310632                 | <a href="#">1163839</a>   |               | Screw  |
| "    | <a href="#">Y312904</a> |                           |               | Bracket, Terminal Block                                      |
| 005  | <a href="#">Y311270</a> |                           |               | Washer, Terminal Block                                       |
| 006  | <a href="#">311484</a>  | <a href="#">112432</a>    |               | Nut  |
| 007  | <a href="#">214519</a>  |                           |               | LABEL, ELECTRICAL INSTR.<br>PART NOT USED-GAS<br>MODELS ONLY |
| 008  | 302521                  |                           | Not Available | CORD, POWER PART NOT<br>USED-GAS MODELS ONLY                 |
| 009  | <a href="#">211881</a>  |                           |               | Grommet, Cord Part Not Used-<br>Gas Models Only              |

|     |                         |                           |               |   |
|-----|-------------------------|---------------------------|---------------|---|
| 010 | NLA                     |                           | Not Available | CONTROL COVER (WHT)                     |
| 011 | 212276                  | <a href="#">W10116760</a> |               | Screw                                   |
| 012 | 307105                  |                           | Not Available | COVER, TOP ASSY. (WHT)                  |
| "   | NLA                     |                           | Not Available | (ALM)                                   |
| 013 | NLA                     |                           | Not Available | CABINET (WHT)                           |
| 014 | <a href="#">213007</a>  |                           |               | Xfor Cabinet See Cabinet, Back          |
| 015 | <a href="#">Y313561</a> |                           |               | Screw---NA                              |
| 016 | Y303361                 |                           | Not Available | BASE ASSY. (UPPER & LOWER)              |
| 017 | <a href="#">Y305086</a> |                           |               | Adjustable Leg And Nut                  |
| 018 | <a href="#">Y314137</a> |                           |               | Foot, Rubber                            |
| 019 | <a href="#">Y052740</a> | <a href="#">62739</a>     |               | Nut, Lock                               |
| 020 | Y310632                 | <a href="#">1163839</a>   |               | Screw                                   |
| 021 | <a href="#">211294</a>  | <a href="#">90767</a>     |               | Screw, 8A X 3/8 HeX Washer Head Tapping |
| "   | Y312951                 |                           | Not Available | ACCESS COVER, BACK                      |
| "   | <a href="#">Y313559</a> |                           |               | Screw                                   |
| 022 | <a href="#">311155</a>  |                           |               | Ground Wire And Clamp                   |
| 023 | <a href="#">301548</a>  |                           |               | Clamp, Ground Wire                      |
| "   | NLA                     |                           | Not Available | SCREW                                   |
| 024 | Y310632                 | <a href="#">1163839</a>   |               | Screw                                   |
| 025 | NLA                     |                           | Not Available | SCREW & WASHER ASSY.                    |

