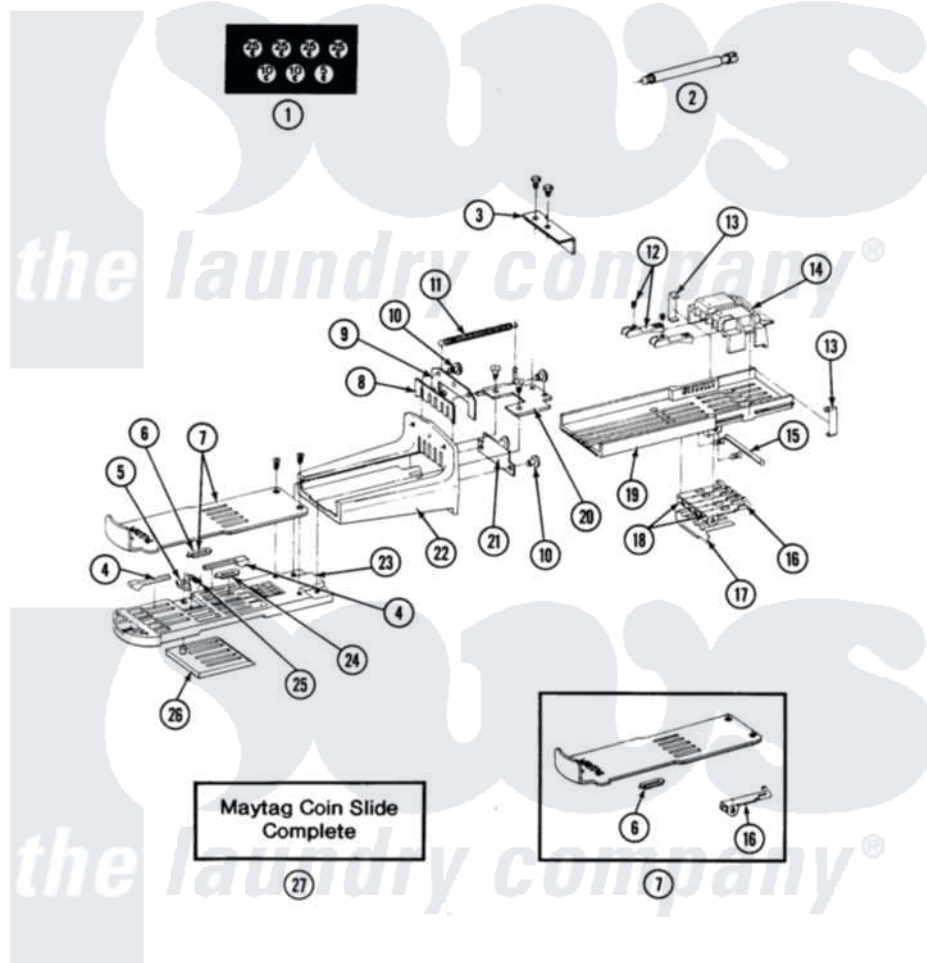


Maytag LDG27CS 09 - MAYTAG COIN SLIDE-ACCESSORY

SECTION: MAYTAG COIN SLIDE - ACCESSORY
 MODEL: DE-DG27CS



Issue Date: 10/90

18

Maytag [Commercial Maytag LDG27CS Dryer Parts](#) Parts Diagram 09 - MAYTAG COIN SLIDE-ACCESSORY
 Click on the part number to view part

Item	Original Part Number	Replaced By	Status	Part Description
001	214648			Decal, Coinage
002	215559			Bolt, Coin Slide Locking
"	NLA		Not Available	LOCKING BOLT
003	212707	3196385		Screw
"	314334			Bracket For Coin Slide
004	NLA		Not Available	PLUG FOR COIN OPENING
005	214572		Not Available	ARM, RATCHET
006	NLA		Not Available	NICKEL INSERT
007	214597			Screw
"	NLA		Not Available	SLIDE PLATE W/NICKEL INSERT
008	214578			Gate For Coin Opening
009	NLA		Not Available	RETAINER FOR GATE
010	NLA		Not Available	STUD FOR COIN SLIDE
011	214581			Spring, Return
012	NLA		Not Available	MOVABLE COIN GAGE
013	214589			Clip, Spring

014	NLA	Not Available	MEASURING BLOCK ASSEMBLY
015	NLA	Not Available	PIN FOR LOWER GAGE ARM
016	NLA	Not Available	LOWER GAGE ARM
017	214596		Spring For Lower Gage Arm
018	205343	Not Available	LOWER GAGE ARM ASSEMBLY
019	214594	Not Available	BASE INSERT FOR HOUSING
"	214597		Screw
020	214597		Screw
"	NLA	Not Available	END BRACKET FOR SLIDE
021	NLA	Not Available	RETAINER FOR GAGE SPRING
022	214584	Not Available	HOUSING FOR COIN SLIDE
023	NLA	Not Available	SLIDE BODY
024	NLA	Not Available	DIME INSERT
025	214582		Spring For Ratchet Arm
026	NLA	Not Available	STUD FOR COIN SLIDE
027	NLA	Not Available	MAYTAG COIN SLIDE

