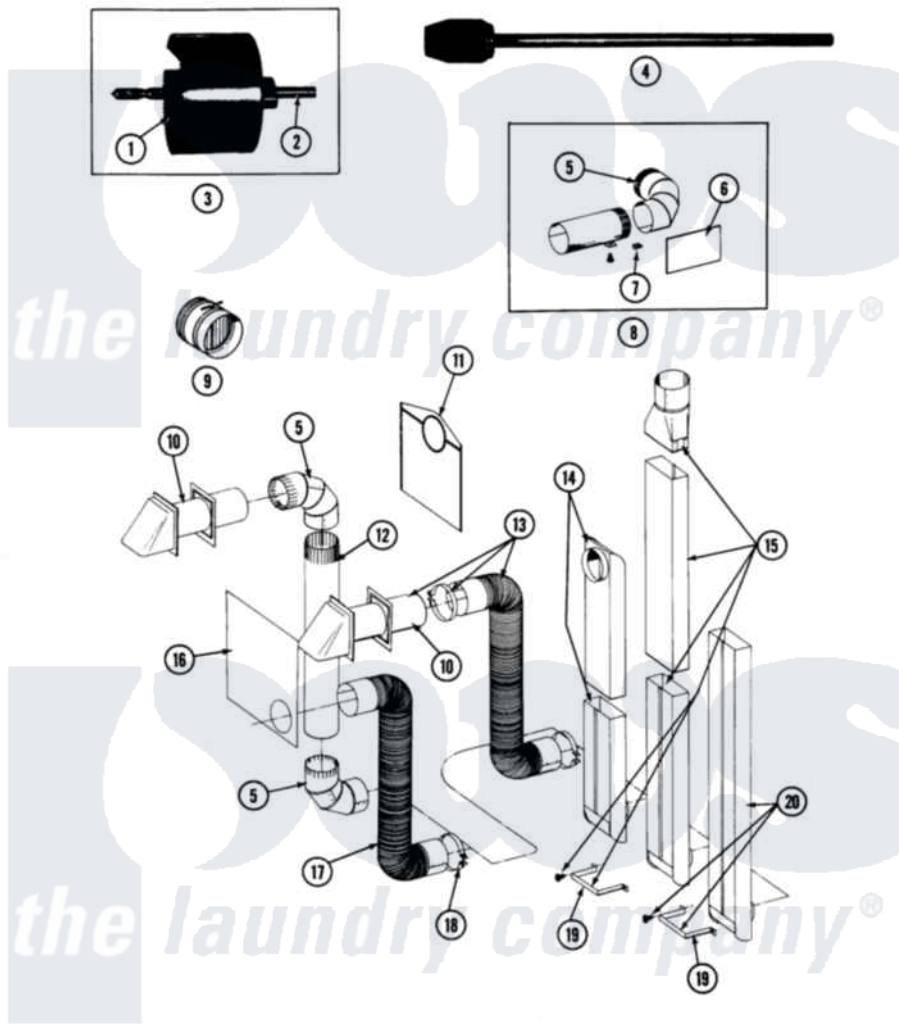


# Maytag LDG27CT 03 - INSTALLATION ACCESSORIES

SECTION: INSTALLATION ACCESSORIES  
 MODEL: ALL MODELS



Issue Date: 10/90

40

Maytag [Commercial Maytag LDG27CT Dryer Parts](#) Parts Diagram 03 - INSTALLATION ACCESSORIES  
 Click on the part number to view part

Item	Original Part Number	Replaced By	Status	Part Description
001	NLA		Not Available	BLADE, SAW
002	NLA		Not Available	REPLACEMENT DRILL
003	NLA		Not Available	HOLE SAW W/DRILL BIT
004	NLA		Not Available	EXTENSION CHUCK, DRILL
005	<a href="#">Y059131</a>			Elbow, Venting
006	<a href="#">312302</a>			Insulation, Exhaust Duct Kit
007	<a href="#">213323</a>			Fastener, Exhaust Duct Kit
008	<a href="#">211294</a>	<a href="#">90767</a>		Screw, 8A X 3/8 HeX Washer Head Tapping
"	<a href="#">Y304652</a>			Exhaust Duct Kit
009	NLA		Not Available	DAMPER, BACK DRAFT
010	Y059129	<a href="#">4396007RW</a>		Vent Hood
011	311353		Not Available	BAG, LINT (DACRON)
012	<a href="#">Y059130</a>			Pipe, Venting
013	<a href="#">Y059143</a>			Flexible Vent Kit
014	<a href="#">Y059135</a>			Vent Duct Assembly
015	NLA		Not Available	RECTANGULAR VENT KIT

016	<a href="#">Y059134</a>		PLATE, ALUM. WINDOW (15``X20``)
017	Y304353	<a href="#">4396010RP</a>	6ft Scvent
018	<a href="#">Y304630</a>		Clamp, Flexible Duct
019	<a href="#">211294</a>	<a href="#">90767</a>	Screw, 8A X 3/8 HeX Washer Head Tapping
"	NLA	Not Available	BRACKET, EXHAUST DEFLECTOR
020	NLA	Not Available	EXHAUST DEFLECTOR KIT

