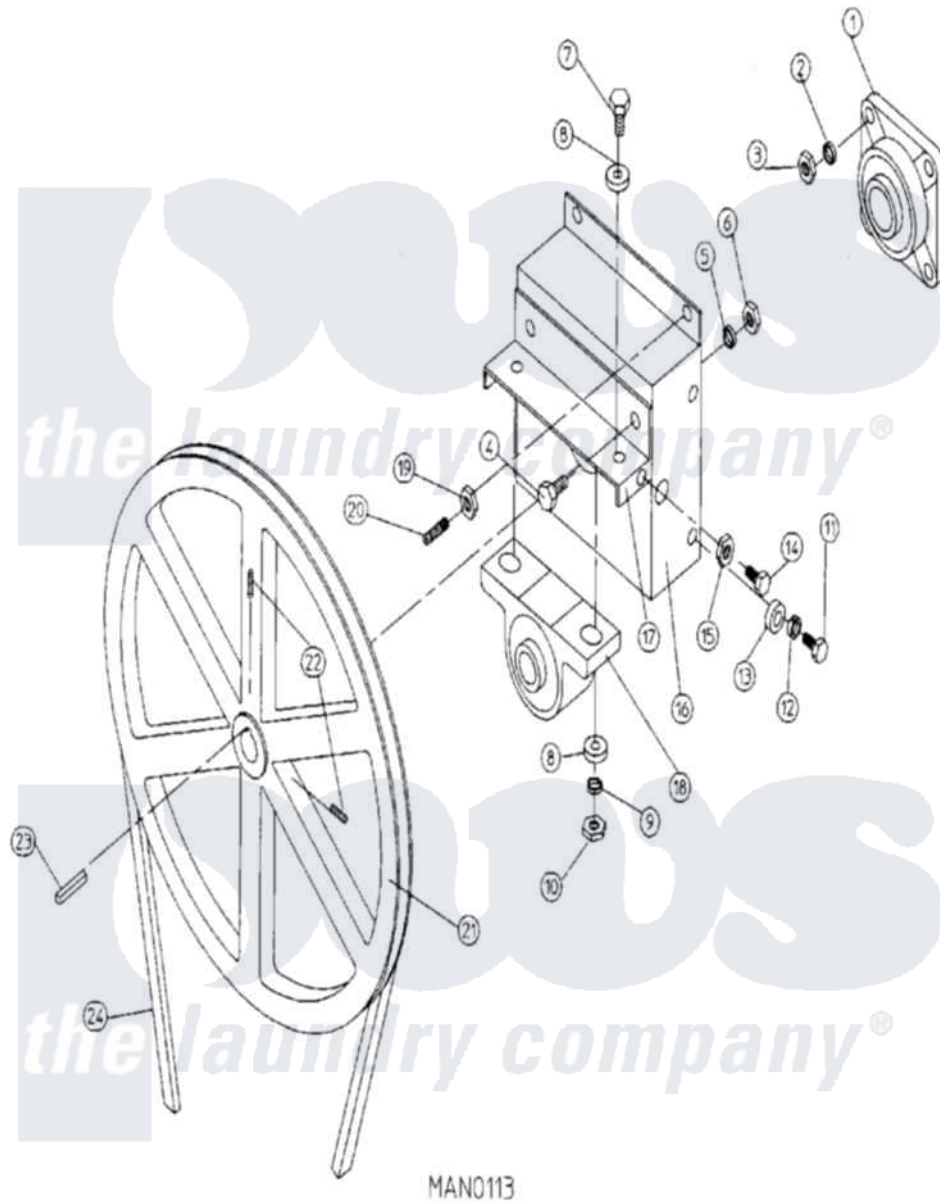


# Maytag LDGS30PC1 12 - TUMBLER BEARING ASSEMBLY



MAN0113

Maytag [Commercial Maytag LDGS30PC1 Dryer Parts](#) Parts Diagram 12 - TUMBLER BEARING ASSEMBLY  
 Click on the part number to view part

Item	Original Part Number	Replaced By	Status	Part Description
000	W10124350		Not Available	ORDER PARTS FROM AMERICAN DRYER CORP AT 508-678-9000
001	A100203		Not Available	BEARING, FLANGE (1 3/8")
002	A153005	<a href="#">153005</a>		3 8 Split
003	A152005	<a href="#">152005</a>		3 8-16 Hex
004	A150508	<a href="#">150508</a>		3 8-16 X 3
005	A153005	<a href="#">153005</a>		3 8 Split
006	A152005	<a href="#">152005</a>		3 8-16 Hex
007	A150600	<a href="#">150600</a>		3 8-16 X 1
008	A153004	<a href="#">153004</a>		3 8 X 1
009	A153005	<a href="#">153005</a>		3 8 Split
010	A152005	<a href="#">152005</a>		3 8-16 Hex
011	A150501	<a href="#">150501</a>		5 16-18 X
012	A153002	<a href="#">8182939</a>		Washer, Lock
013	A153001	<a href="#">153001</a>		5 16 Flat
014	A150621	<a href="#">150621</a>		5 16-18 X

015	A152004	<a href="#">8182933</a>		Nut, Hex
016	A801101	<a href="#">W10147075</a>		1-3 8 Bea
"	A801103	<a href="#">801103</a>		Bearing BO
"	A801105	<a href="#">W10147077</a>		1 Pc. 1 3
017	A801104	<a href="#">801104</a>		Pillow Blo
018	A100202		Not Available	BEARING, PILLOW BLOCK (1 3/8``)
019	A152005	<a href="#">152005</a>		3 8-16 Hex
020	A154303		Not Available	SCREW (No.16-3/8`` X 1 1/4``)
021	A101100		Not Available	PULLEY, 18`` (NON-REVERSING)
022	A154301	<a href="#">154301</a>		5 16-18 X
023	A100713	<a href="#">100713</a>		1 4 X 1 4
024	A100111		Not Available	5L650 V-BELT (TO TUMBLER)

*the laundry company*<sup>®</sup>

*the laundry company*<sup>®</sup>

*the laundry company*<sup>®</sup>