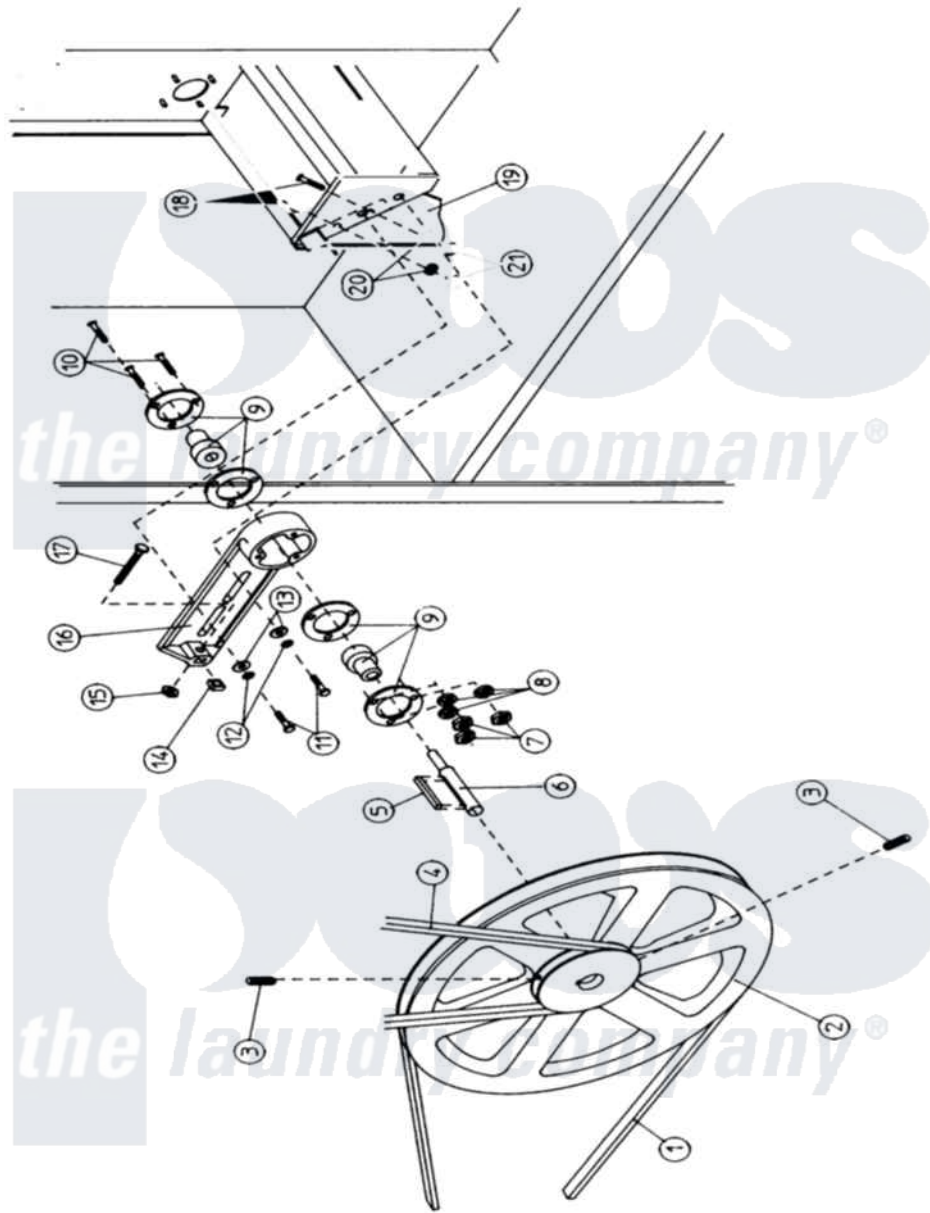


Maytag LDGS30PC1 13 - IDLER BEARING ASSEMBLY



Maytag [Commercial Maytag LDGS30PC1 Dryer Parts](#) Parts Diagram 13 - IDLER BEARING ASSEMBLY
 Click on the part number to view part

Item	Original Part Number	Replaced By	Status	Part Description
000	W10124350		Not Available	ORDER PARTS FROM AMERICAN DRYER CORP AT 508-679-9000
001	A100115	W10146561		4l410 V be
002	A101129	W10146631		9 X 2-1 2
003	A154301	154301		5 16-18 X
004	A100111		Not Available	5L650 V-BELT (TO TUMBLER)
005	A100705	100705		3 16 X 3
006	A301850			SHAFT, IDLER (5/8" X 3/4")
007	A152002	152002		1 4-20 Hex
008	A153007	153007		1 4 Split
009	A100214		Not Available	BEARING, FLANGE (5/8")
010	A150521	150521		1 4-20 X 2
011	A150617	150617		3 8-16 X 1
012	A153005	153005		3 8 Split
013	A153004	153004		3 8 X 1

014	A152020	152020	5 16-18 SQ
015	A152004	8182933	Nut, Hex
016	A100406		BEARING, IDLER ASSEMBLY (INCLUDES 5 - 17)
"	A801008	Not Available	IDLER BEARIN ASSY. (COMPLETE)
017	A150509	150509	5 16-18 X
018	A150111	150111	1 4-20 X 1
019	A311403	311403	Tumbler be
020	A153007	153007	1 4 Split
021	A152002	152002	1 4-20 Hex

