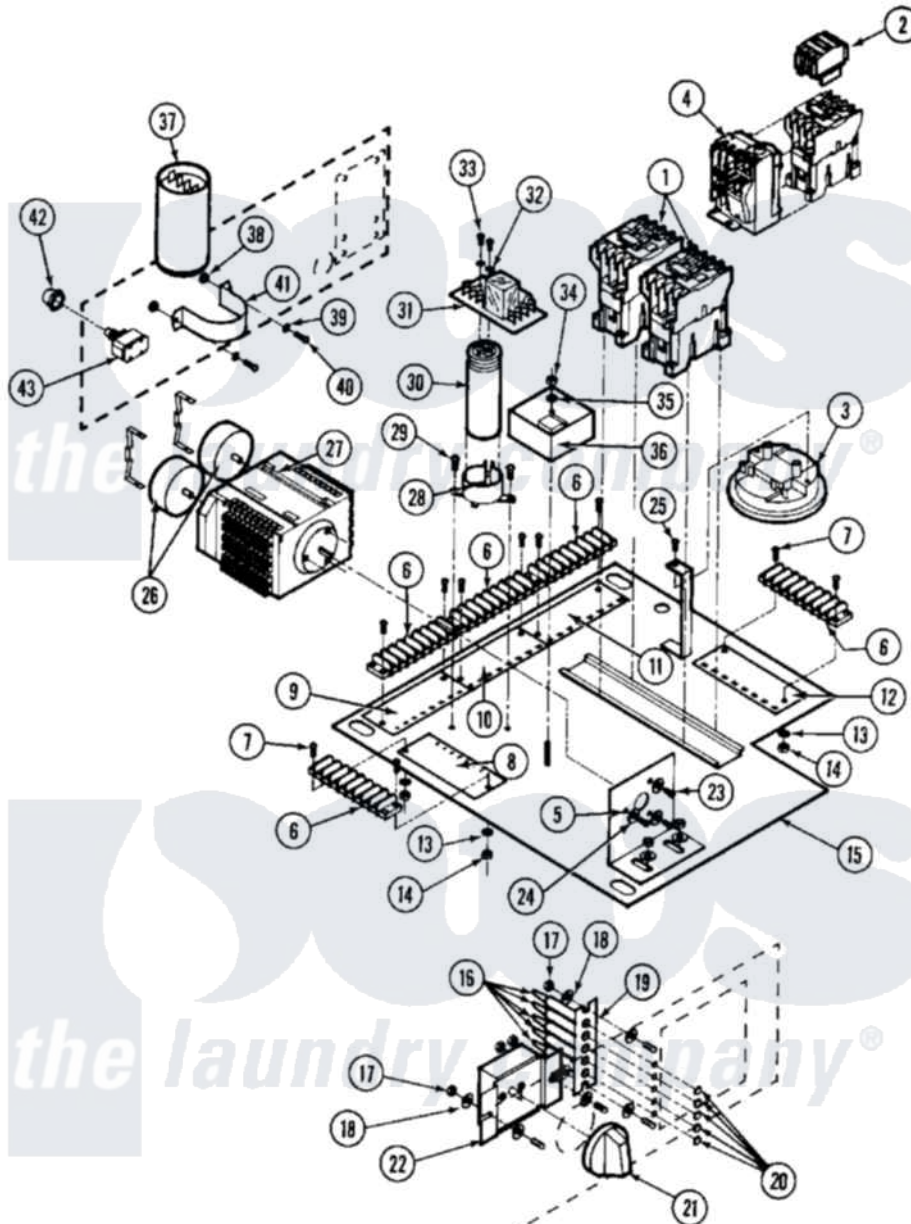


Maytag MAF25MC3 01 - CONTROL MODULE (MECHANICAL TIMER)



Maytag [Commercial Maytag MAF25MC3 Washer Parts](#) Parts Diagram 01 - CONTROL MODULE (MECHANICAL TIMER)
 Click on the part number to view part

Item	Original Part Number	Replaced By	Status	Part Description
001	24001105	24002051		Contacto-
002	24001104		Not Available	CONTACTOR, AUX. ADDER
003	NLA		Not Available	SWITCH, TRI LEVEL---N
004	24001233			Protector, Overload
005	W10124350		Not Available	PART NUMBER NOT AVAILABLE
006	24001412		Not Available	STRIP, TERMINAL
007	24001414	4450038		Screw
008	NLA		Not Available	DECAL,INSUL. TERM STRIP (1-8)
009	NLA		Not Available	DECAL,INSUL. TERM STRIP (9-16)
010	NLA		Not Available	DECAL,INSUL. TERM STRIP (17-24)
011	NLA		Not Available	DECAL,INSUL. TERM STRIP (25-32)
012	24001030		Not Available	DECAL,INSUL. TERM STIRP (33-40)
013	24001415			Washer, S.s.

014	24001417	7103P070-60		Nut, Top Pilot
015	W10124350		Not Available	PART NUMBER NOT AVAILABLE
016	24001209		Not Available	LIGHT, NEON (1/3W, 125VAC)
017	24001342	74005230		Nut, Lock
018	24001576			Washer, Flat
019	24001214			Bracket, Ind. Light
"	24001841	24001214		Bracket, Ind. Light
020	24001210	215564		Lens, Indicator Light
021	24001204		Not Available	KNOB
022	24001207			Switch, Cycle Select
023	24001357			Screw, Stainless Steel
024	24001358			Washer, Flat
025	24001411	313806		Screw
026	24001577			Motor, Timer
027	24001178			Kit, Timer Cycle
028	W10124350		Not Available	PART NUMBER NOT AVAILABLE
029	24001578	3196170		Screw
030	24001247			Capacitor, Door Lock
031	24001248		Not Available	PC BOARD, DOOR UNLOCK (110V)
032	24001579			Washer, S.s.
033	24001580			Screw, S.s.
034	24001419	W10139757		Nut
035	24001295			Lockwasher, S.s.
036	24001176			Kit, Timer Delay
037	24001235			Kit, Switch
038	24001425			Nut, Fiberlock, Pltd
039	24001576			Washer, Flat
040	24001593	132780		Screw
041	24001594		Not Available	BRACKET, SINPAC SWITCH
042	24001744		Not Available	BOOT, PUSH BUTTON
043	24001254			Switch, Momentary
044	24001245			Fuse, Slo Blo

