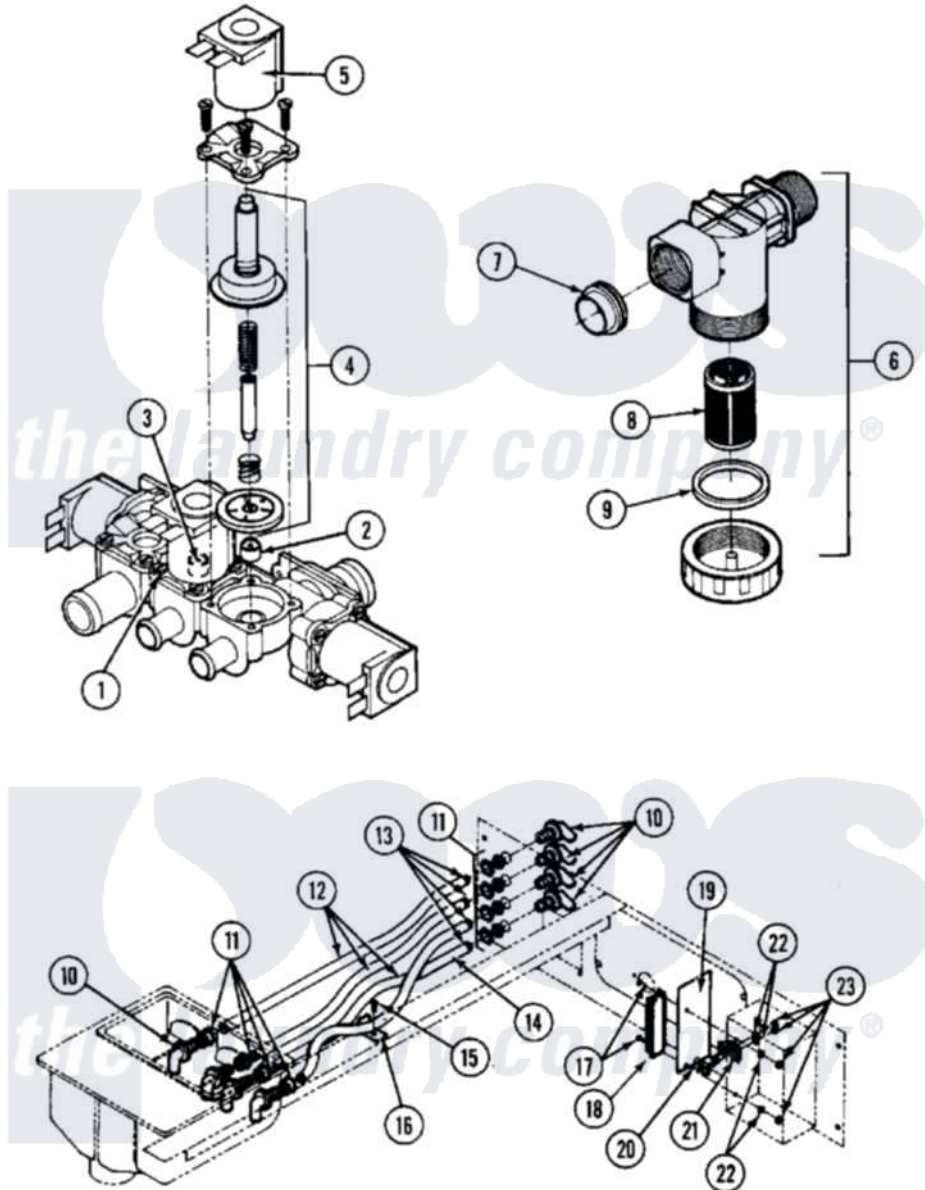


# Maytag MAF25PC2 03 - WATER VALVE & AUTOMATIC DISPENSER



Maytag Commercial Maytag MAF25PC2 Washer Parts Parts Diagram 03 - WATER VALVE & AUTOMATIC DISPENSER

[Click on the part number to view part](#)

| Item | Original Part Number     | Replaced By | Status        | Part Description              |
|------|--------------------------|-------------|---------------|-------------------------------|
| 001  | <a href="#">24001226</a> |             |               | Valve, Mixing                 |
| 002  | 24001443                 |             | Not Available | RESTRICTOR, FLOW (2.8MM)      |
| 003  | 24001444                 |             | Not Available | RESTRICTOR, FLOW (4MM)        |
| 004  | <a href="#">24001122</a> |             |               | Kit, Valve Repair             |
| "    | <a href="#">24001231</a> |             |               | Kit, Repair                   |
| 005  | <a href="#">24001232</a> |             |               | Coil, Water Valve             |
| 006  | 24001549                 |             | Not Available | FILTER, MESH (11MM US THREAD) |
| 007  | <a href="#">24001448</a> |             |               | Seal                          |
| 008  | 24001447                 |             | Not Available | FILTER, MESH (25MM US THREAD) |
| "    | 24001449                 |             | Not Available | FILTER SCREEN RPLCMNT (11MM)  |
| 009  | 24001450                 |             | Not Available | GASKET CAP, FILTER HOUSING    |
| 010  | 24001451                 |             | Not Available | NOZZLE KIT                    |
| 011  | NLA                      |             | Not Available | NUT, PAL (13" X 1/2" PLTD)    |

|     |                          |                             |               |                                |
|-----|--------------------------|-----------------------------|---------------|--------------------------------|
| 012 | 24001631                 |                             | Not Available | TUBING, NORPRENE (5/16"ID 21") |
| 013 | 24001632                 |                             | Not Available | CLAMP, HOSE (No.4)             |
| 014 | NLA                      |                             | Not Available | TUBING, NORPRENE (5/16"ID 26") |
| 015 | 24001301                 | <a href="#">67006964</a>    |               | Screw, Glide                   |
| 016 | <a href="#">24001456</a> |                             |               | Bracket, Hose                  |
| 017 | <a href="#">24001414</a> | <a href="#">4450038</a>     |               | Screw                          |
| 018 | 24001412                 |                             | Not Available | STRIP, TERMINAL                |
| 019 | 24001458                 |                             | Not Available | DECAL, EXTERNAL SUPPLY         |
| 020 | <a href="#">24001253</a> |                             |               | Fuse                           |
| 021 | 24001554                 |                             | Not Available | HOLDER, FUSE (DUAL)            |
| 022 | <a href="#">24001415</a> |                             |               | Washer, S.s.                   |
| 023 | 24001417                 | <a href="#">7103P070-60</a> |               | Nut, Top Pilot                 |
| "   | 24001634                 |                             | Not Available | SCREEN, VALVE                  |
| 024 | <a href="#">24001635</a> |                             |               | Seal, O Ring                   |

