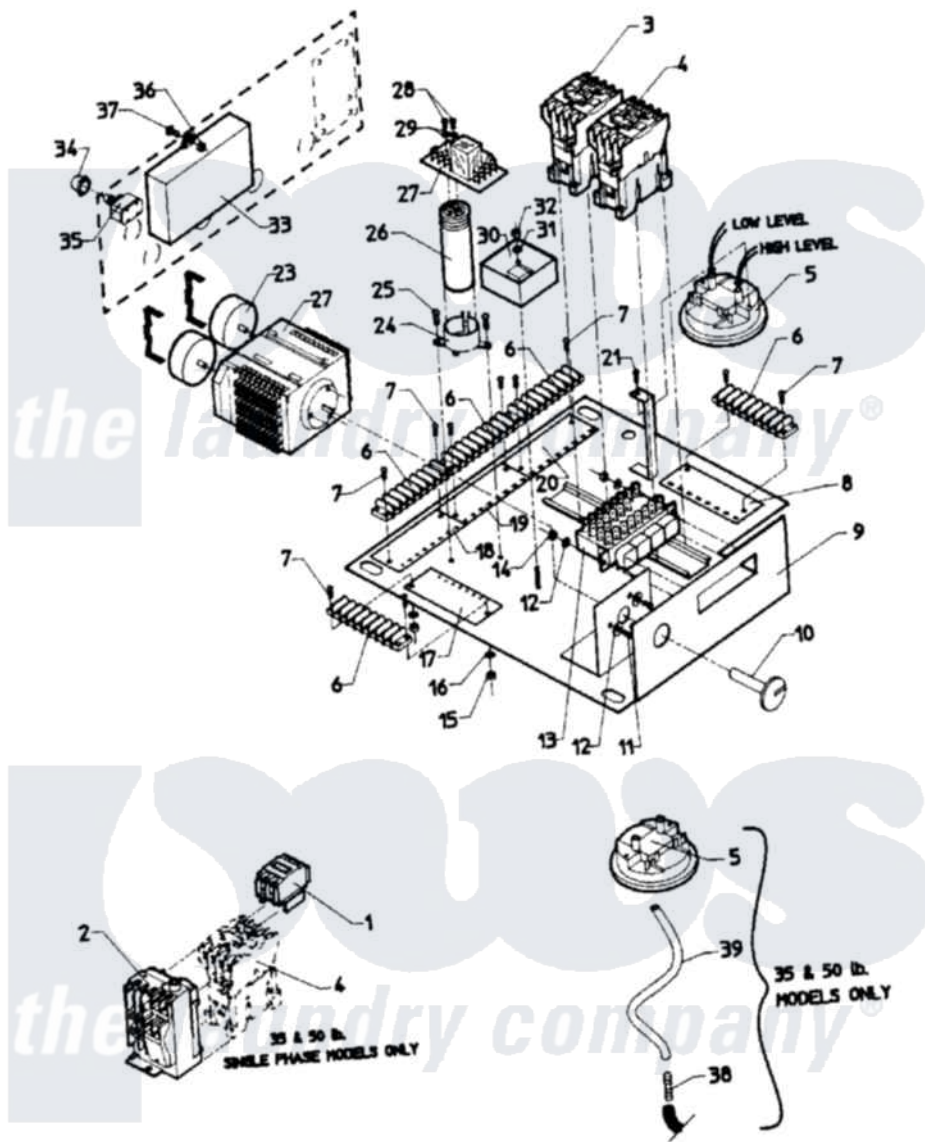


# Maytag MAF35MC1 04 - CONTROL MODULE



Maytag [Commercial Maytag MAF35MC1 Washer Parts](#) Parts Diagram 04 - CONTROL MODULE

[Click on the part number to view part](#)

| Item | Original Part Number     | Replaced By              | Status        | Part Description               |
|------|--------------------------|--------------------------|---------------|--------------------------------|
| 001  | 24001104                 |                          | Not Available | CONTACTOR, AUX. ADDER          |
| 002  | <a href="#">24001233</a> |                          |               | Protector, Overload            |
| 003  | 24001105                 | <a href="#">24002051</a> |               | Contactor-                     |
| 004  | 24001105                 | <a href="#">24002051</a> |               | Contactor-                     |
| "    | <a href="#">24001737</a> |                          |               | Relay                          |
| "    | <a href="#">24001738</a> |                          |               | Relay                          |
| 005  | 24001223                 |                          | Not Available | SWITCH, DUAL LEVEL             |
| "    | NLA                      |                          | Not Available | SWITCH, TRI LEVEL---N          |
| 006  | 24001412                 |                          | Not Available | STRIP, TERMINAL                |
| 007  | <a href="#">24001414</a> | <a href="#">4450038</a>  |               | Screw                          |
| 008  | 24001030                 |                          | Not Available | DECAL,INSUL.TERM STIRP (33-40) |
| 009  | W10124350                |                          | Not Available | PART NUMBER NOT AVAILABLE      |
| 010  | W10124350                |                          | Not Available | PART NUMBER NOT AVAILABLE      |
| 011  | <a href="#">24001357</a> |                          |               | Screw, Stainless Steel         |

|     |                          |                             |                                 |
|-----|--------------------------|-----------------------------|---------------------------------|
| 012 | <a href="#">24001358</a> |                             | Washer, Flat                    |
| 013 | NLA                      | Not Available               | SWITCH, CYCLE SELECTOR          |
| 014 | NLA                      | Not Available               | NUT, FIBERLOCK                  |
| 015 | 24001417                 | <a href="#">7103P070-60</a> | Nut, Top Pilot                  |
| 016 | <a href="#">24001415</a> |                             | Washer, S.s.                    |
| 017 | NLA                      | Not Available               | DECAL,INSUL. TERM STRIP (1-8)   |
| 018 | NLA                      | Not Available               | DECAL,INSUL. TERM STRIP (9-16)  |
| 019 | NLA                      | Not Available               | DECAL,INSUL. TERM STRIP (17-24) |
| 020 | NLA                      | Not Available               | DECAL,INSUL. TERM STRIP (25-32) |
| 021 | <a href="#">24001411</a> | <a href="#">313806</a>      | Screw                           |
| 022 | <a href="#">24001178</a> |                             | Kit, Timer Cycle                |
| 023 | <a href="#">24001577</a> |                             | Motor, Timer                    |
| 024 | W10124350                | Not Available               | PART NUMBER NOT AVAILABLE       |
| 025 | 24001578                 | <a href="#">3196170</a>     | Screw                           |
| 026 | <a href="#">24001247</a> |                             | Capacitor, Door Lock            |
| 027 | 24001248                 | Not Available               | PC BOARD, DOOR UNLOCK (110V)    |
| "   | <a href="#">24001742</a> |                             | Board, P.C.                     |
| 028 | <a href="#">24001580</a> |                             | Screw, S.s.                     |
| 029 | <a href="#">24001579</a> |                             | Washer, S.s.                    |
| 030 | <a href="#">24001176</a> |                             | Kit, Timer Delay                |
| 031 | <a href="#">24001295</a> |                             | Lockwasher, S.s.                |
| 032 | 24001419                 | <a href="#">W10139757</a>   | Nut                             |
| 033 | <a href="#">24001743</a> |                             | Switch, Motor                   |
| 034 | 24001744                 | Not Available               | BOOT, PUSH BUTTON               |
| 035 | <a href="#">24001254</a> |                             | Switch, Momentary               |
| 036 | <a href="#">24001425</a> |                             | Nut, Fiberlock, Pltd            |
| 037 | <a href="#">24001745</a> |                             | Screw, Stainless Steel          |
| 038 | 24001746                 | Not Available               | COUPLER, HOSE (PRESS. SWTCH)    |
| 039 | 24001747                 | Not Available               | EXTENSION, AIR LINE             |

