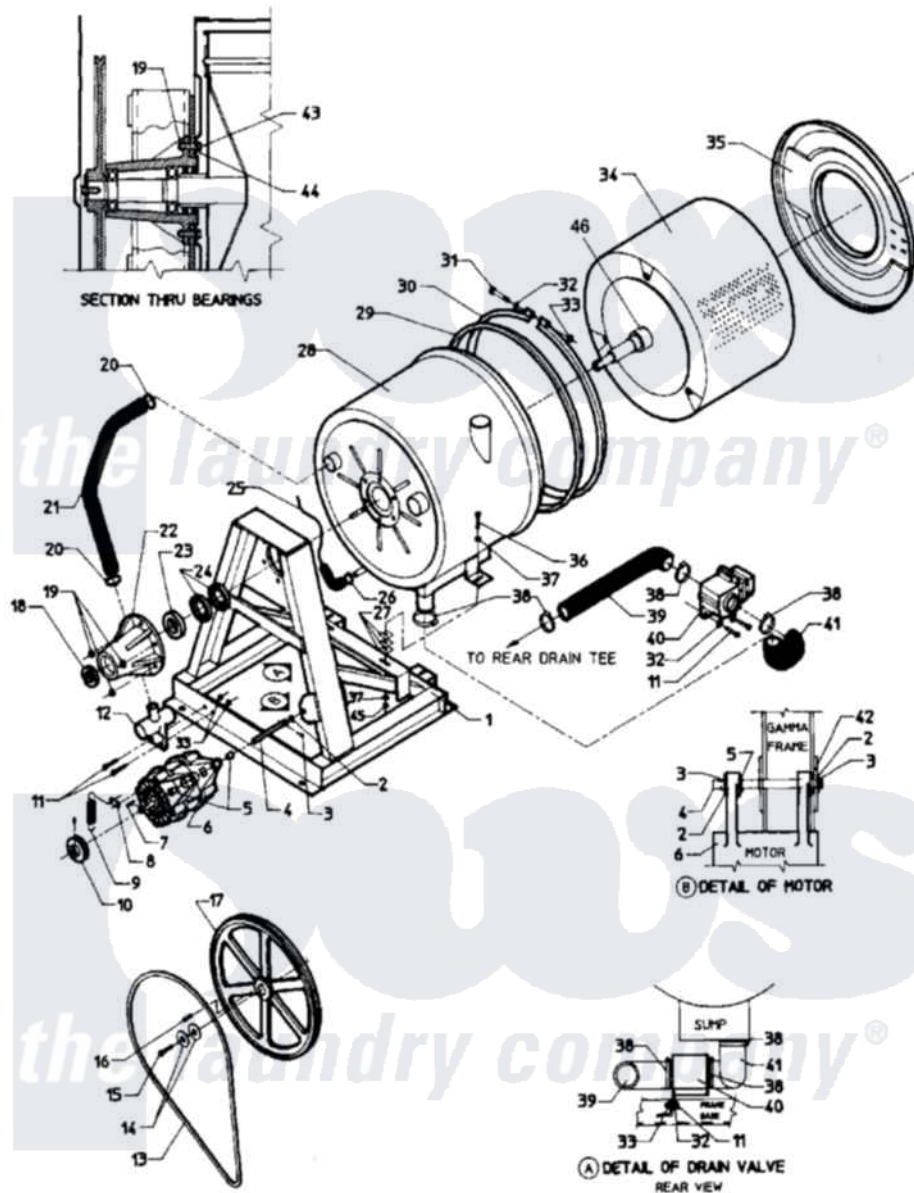


Maytag MAF35PN2 09 - MAIN EXPLODED VIEW - SUB ASSEMBLY



Maytag Commercial Maytag MAF35PN2 Washer Parts Parts Diagram 09 - MAIN EXPLODED VIEW - SUB ASSEMBLY
 Click on the part number to view part

Item	Original Part Number	Replaced By	Status	Part Description
001	24001371		Not Available	KIT ASSY., FRAME (2 SPEED)
002	24001511			Washer, Hardened
003	24001512		Not Available	PIN, COTTER PLTD. (1/8X1 1/2)
004	24001802		Not Available	SUPPORT ROD, MOTOR
005	24001021			Bushing, Motor
006	24001079			Motor 2SP 1 Phase
"	24001083			Motor, 2SP
007	24001648		Not Available	KEY (MOTOR 3/16" X 1 1/2")
008	24001651		Not Available	CLIP, MOTOR SPRING
009	24001650		Not Available	SPRING (BELT TENSION)
010	24001090			Bushing, Motor Pulley
011	24001502	8204624		Bolt
012	24001826		Not Available	(B)CONNECTION, TEE-DRAIN
013	24001095			Belt, V

014	24001501		Washer, Stainless Steel
015	Y24001500		Screw, S.s.
016	24001499	Not Available	KEY (3/8" X 1 1/4")
017	W10124350	Not Available	PART NUMBER NOT AVAILABLE
018	24001014		Bearing
019	24001495		Nut, Fiberlock
"	24001563		Nut, Fiberlock
020	24001283	Not Available	CLAMP, HOSE (No.28)
021	24001506		Hose, Overflow
022	24001260		Kit, Trunnion
023	24001016	Not Available	BEARING (6309 2RS C3)
024	24001020		Seal, Shaft
025	24001661	Not Available	HOSE, AIR DOME
026	24001438	285655	Clamp, Hose
027	24001803	Not Available	SHIM, SHELL
028	24001377	Not Available	KIT, SHIELD RETRO
029	24001184		Gasket Kit
030	24001389	Not Available	KIT, BAND SHELL
031	24001215		Kit, Band Fastener
032	24001215		Kit, Band Fastener
033	24001215		Kit, Band Fastener
034	24001804	24001268	Basket 35
035	24001385	Not Available	KIT, FRONT SHELL
036	24001657		Bolt
037	24001516		Washer, Flat Pltd.
038	24001353	696392	Hose Clamp
039	24001564		Hose, Drain
040	24001116		Valve, Drain
041	24001565		Hose, Drain
042	W10124350	Not Available	PART NOT USED
043	24001497		Bolt, S.s.
"	24001807		Bolt, S.s.
044	24001809		Washer, Flat
"	24001810		Washer, Flat
045	24001260		Kit, Trunnion
"	24001515		Nut, Fiberlock Pltd.
046	24001271		Collar

