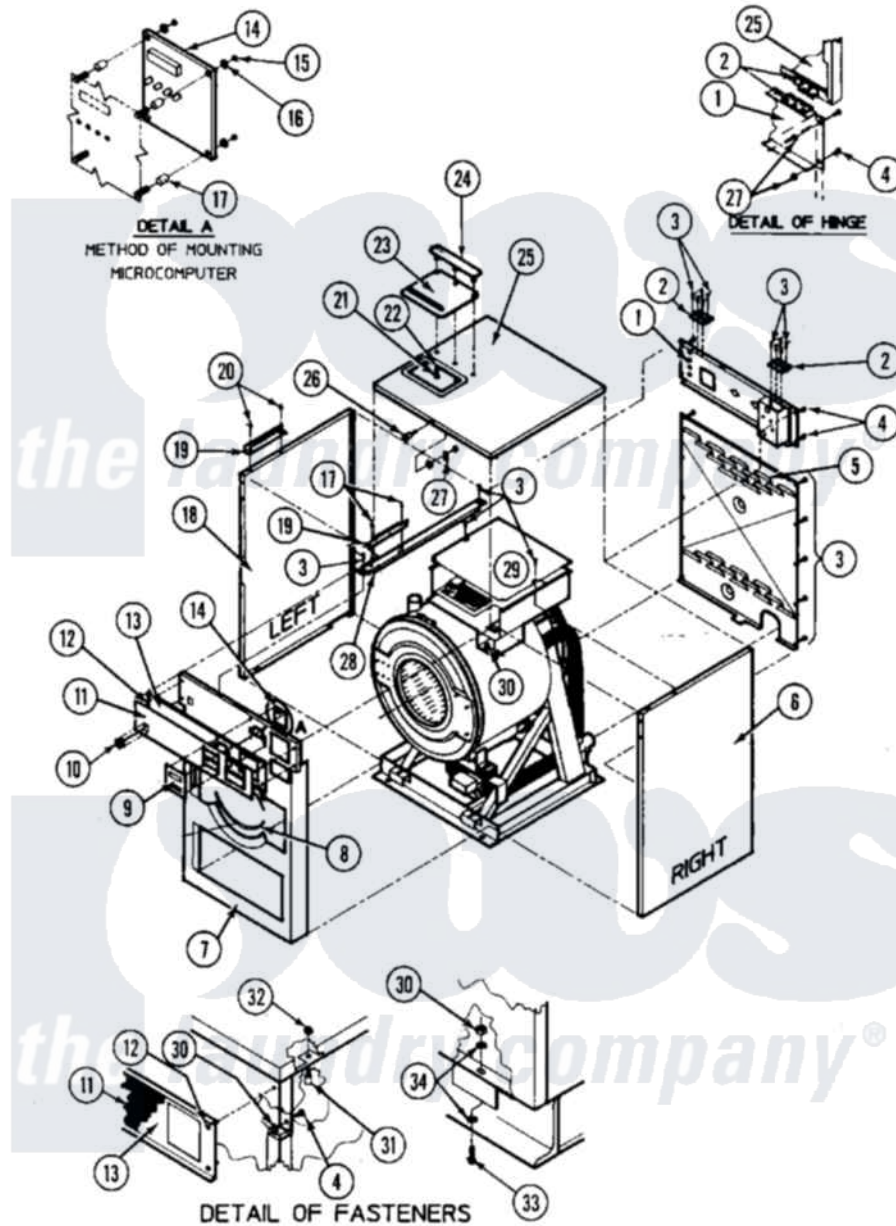


# Maytag MAF35PNA 08 - CABINET



Maytag Commercial Maytag MAF35PNA Washer Parts Parts Diagram 08 - CABINET  
 Click on the part number to view part

Item	Original Part Number	Replaced By	Status	Part Description
001	W10124350		Not Available	NOT REQUIRED PART OR SEE NOTE
002	<a href="#">Y24001300</a>			Hinge
003	24001301	<a href="#">67006964</a>		Screw, Glide
004	<a href="#">24001323</a>			Screw
005	24001403		Not Available	KIT, PANEL (REAR)
006	24001159		Not Available	PANEL KIT, SIDE (RT.)35 (AS VIEWED FROM FRONT)
007	24001531		Not Available	PANEL ASSY. (INR. FRT.)
008	24001550	<a href="#">24001532</a>		Trim- Pane
009	24001113	<a href="#">24001112</a>		Switch, Membrane
010	<a href="#">24001252</a>			Switch, Momentary
011	NLA		Not Available	PANEL, CONTROL
012	<a href="#">24001533</a>			Rivet, Pop S.s.
013	24001573		Not Available	CONTROL PANEL
014	<a href="#">24001535</a>			Board, Computer
015	24001417	<a href="#">7103P070-60</a>		Nut, Top Pilot

016	<a href="#">24001415</a>		Washer, S.s.
017	NLA	Not Available	SPACER
018	24001157	Not Available	PANEL KIT, SIDE (LT.)35
019	24001539	Not Available	BRACKET, SOAP DISPENSER
020	24001540	Not Available	RIVET, BLIND S.S. (1/8 X 5/16)
021	24001510	<a href="#">W1013975Z</a>	Nut
022	<a href="#">24001312</a>		Washer, Flat
023	24001219	Not Available	COVER, SOAP DISPENSER
024	<a href="#">24001542</a>		Clamp, Soap Dispenser
025	NLA	Not Available	COVER ASSY., TOP
026	<a href="#">24001220</a>		Lock, Top Cover
027	<a href="#">24001221</a>		Latch, Top Cover
028	NLA	Not Available	BRACE, TOP (xC35)
029	24001545	Not Available	COVER, ELECTRICAL MODULE
030	<a href="#">24001305</a>		Nut, Fiberlock
031	24001546	Not Available	STUD, S.S. (6/32" X 1/4")
032	<a href="#">24001425</a>		Nut, Fiberlock, Pltd
033	<a href="#">24001303</a>		Screw
034	<a href="#">24001304</a>		Washer, Flat

