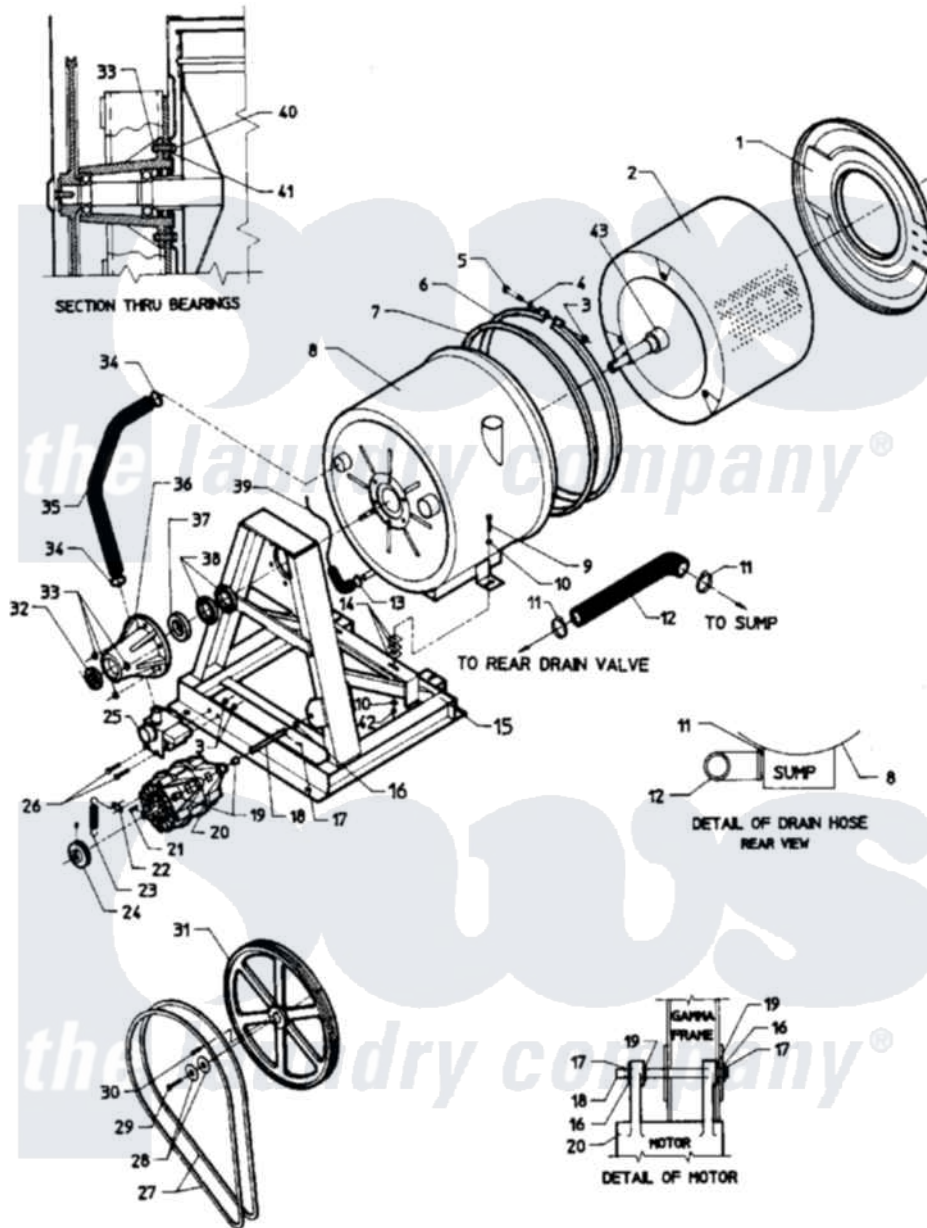


Maytag MAF50PC2 09 - MAIN EXPLODED VIEW - SUB ASSEMBLY



Maytag Commercial Maytag MAF50PC2 Washer Parts Parts Diagram 09 - MAIN EXPLODED VIEW - SUB ASSEMBLY
 Click on the part number to view part

Item	Original Part Number	Replaced By	Status	Part Description
001	NLA		Not Available	FRONT SHELL ASSY.
002	24001392			Kit, Basket
003	24001215			Kit, Band Fastener
004	24001215			Kit, Band Fastener
005	24001215			Kit, Band Fastener
006	NLA		Not Available	KIT, BAND SHELL
007	24001184			Gasket Kit
008	NLA		Not Available	KIT, SHIELD RETRO
009	24001657			Bolt
010	24001516			Washer, Flat Pltd.
011	24001353	696392		Hose Clamp
012	24001503			Cup, Supply
013	24001353	696392		Hose Clamp
014	24001803		Not Available	SHIM, SHELL
015	24001373		Not Available	KIT ASSY., FRAME (2 SPEED)
016	24001812			Washer, Hardened

017	24001512		Not Available	PIN, COTTER PLTD. (1/8X1 1/2)
018	NLA		Not Available	ROD, SUPPORT
019	24001021			Bushing, Motor
020	24001080			Motor, 2SP
"	24001084			Motor, 2SP
021	24001648		Not Available	KEY (MOTOR 3/16" X 1 1/2")
022	24001651		Not Available	CLIP, MOTOR SPRING
023	24001650		Not Available	SPRING (BELT TENSION)
024	24001088			Pulley, Motor
025	24001217			Valve, Drain
"	24001814			Valve, Drain
026	24001502	8204624		Bolt
027	24001404			Belt, V
028	24001501			Washer, Stainless Steel
029	Y24001500			Screw, S.s.
030	24001499		Not Available	KEY (3/8" X 1 1/4")
031	24001087			Pulley, Basket
032	24001016		Not Available	BEARING (6309 2RS C3)
033	24001495			Nut, Fiberlock
034	24001283		Not Available	CLAMP, HOSE (No.28)
035	24001506			Hose, Overflow
036	24001261			Kit, Trunnion
037	24002044			Bearing, 6312-2RS
038	24002049			Seal, Shaft
039	24001661		Not Available	HOSE, AIR DOME
040	24001497			Bolt, S.s.
041	24001496			Washer, Flat S.s.
042	24001261			Kit, Trunnion
"	24001515			Nut, Fiberlock Pltd.
043	24001272		Not Available	COLLAR (2SP)

