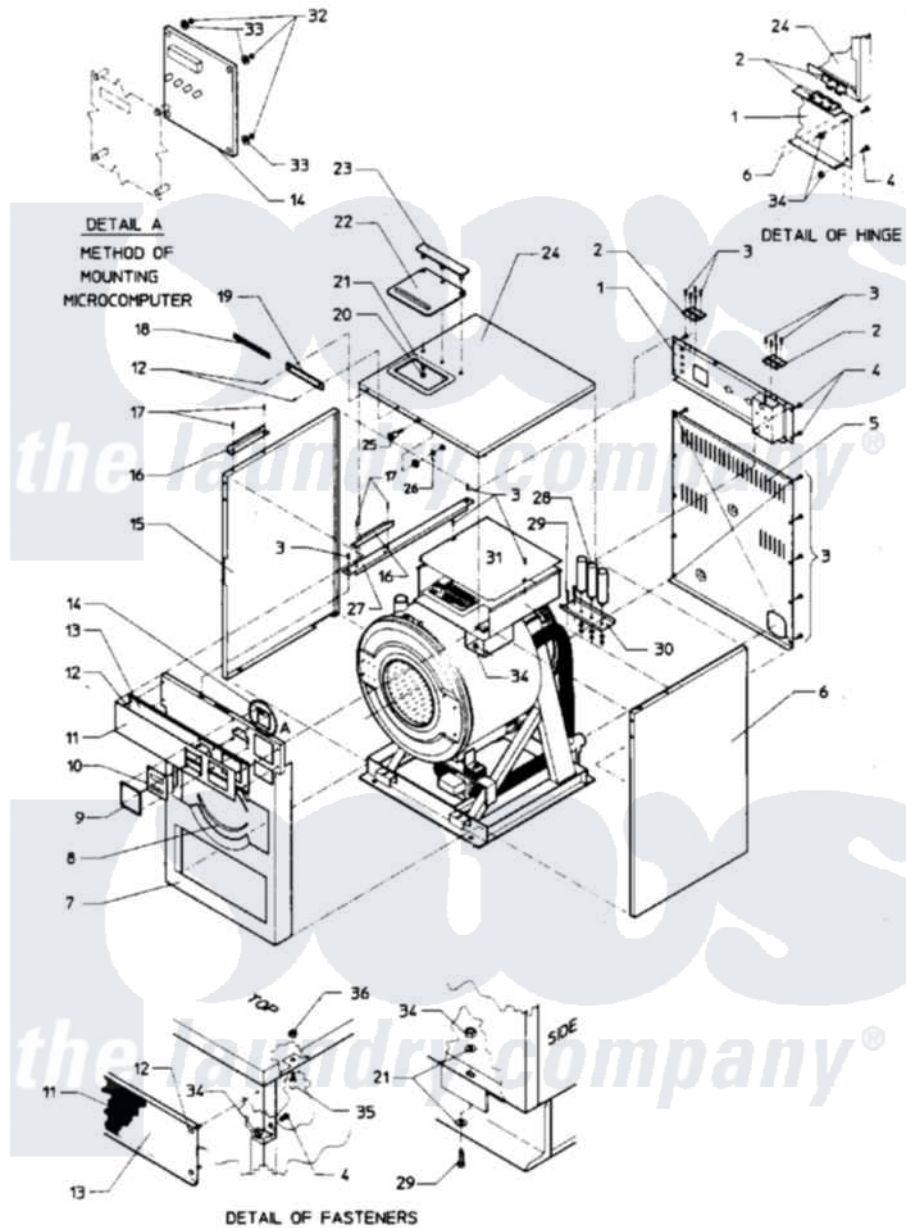


Maytag MAF50PN2 01 - MAIN EXPLODED VIEW - COMPUTER MODELS



Maytag [Commercial Maytag MAF50PN2 Washer Parts](#) Parts Diagram 01 - MAIN EXPLODED VIEW - COMPUTER MODELS

[Click on the part number to view part](#)

Item	Original Part Number	Replaced By	Status	Part Description
001	24001171			Panel Kit, Valve
002	24001676		Not Available	HINGE, TOP COVER (NOTE: 18003069 AFTER SERIAL
"	Y24001300			Hinge
003	24001301	67006964		Screw, Glide
004	24001323			Screw
005	24001402	24001198		Hose Kit, Soap Dispenser
006	NLA		Not Available	PANEL KIT, SIDE (RT.)50
007	24001531		Not Available	PANEL ASSY. (INR. FRT.)
008	24001550	24001532		Trim- Pane
009	NLA		Not Available	TRIM, KEYPAD (CPTR GREY)
010	24001112			Switch, Membrane
"	24001114		Not Available	SWITCH, MEMBRANE (PC)
011	24001706		Not Available	DECAL
012	24001533			Rivet, Pop S.s.

013	24001688		Panel, Control
014	24001010		Board, Coin Computer
"	24001709		Board, Computer
015	NLA	Not Available	PANEL KIT, SIDE (LT.)50
016	24001539	Not Available	BRACKET, SOAP DISPENSER
017	24001533		Rivet, Pop S.s.
018	NLA	Not Available	DECAL (MAYTAG)
019	24001671	Not Available	NAMEPLATE
020	24001510	W10139757	Nut
021	24001295		Lockwasher, S.s.
022	24001219	Not Available	COVER, SOAP DISPENSER
023	24001542		Clamp, Soap Dispenser
024	NLA	Not Available	COVER, TOP
025	24001220		Lock, Top Cover
026	24001221		Latch, Top Cover
027	24001691	Not Available	BRACE, TOP
028	24001237		Capacitor
"	24001239		Capacitor
"	24001241		Capacitor W/Res.
029	24001303		Screw
030	24001674	Not Available	BRACKET, CAPACITOR
031	24001545	Not Available	COVER, ELECTRICAL MODULE
032	24001417	7103P070-60	Nut, Top Pilot
033	24001415		Washer, S.s.
034	24001305		Nut, Fiberlock
035	24001546	Not Available	STUD, S.S. (6/32" X 1/4")
036	24001425		Nut, Fiberlock, Pltd
"	24001675	Not Available	RESISTOR (12K OHMS 5 WATT) (W/CENTURY OR ELMO MOTORS)

