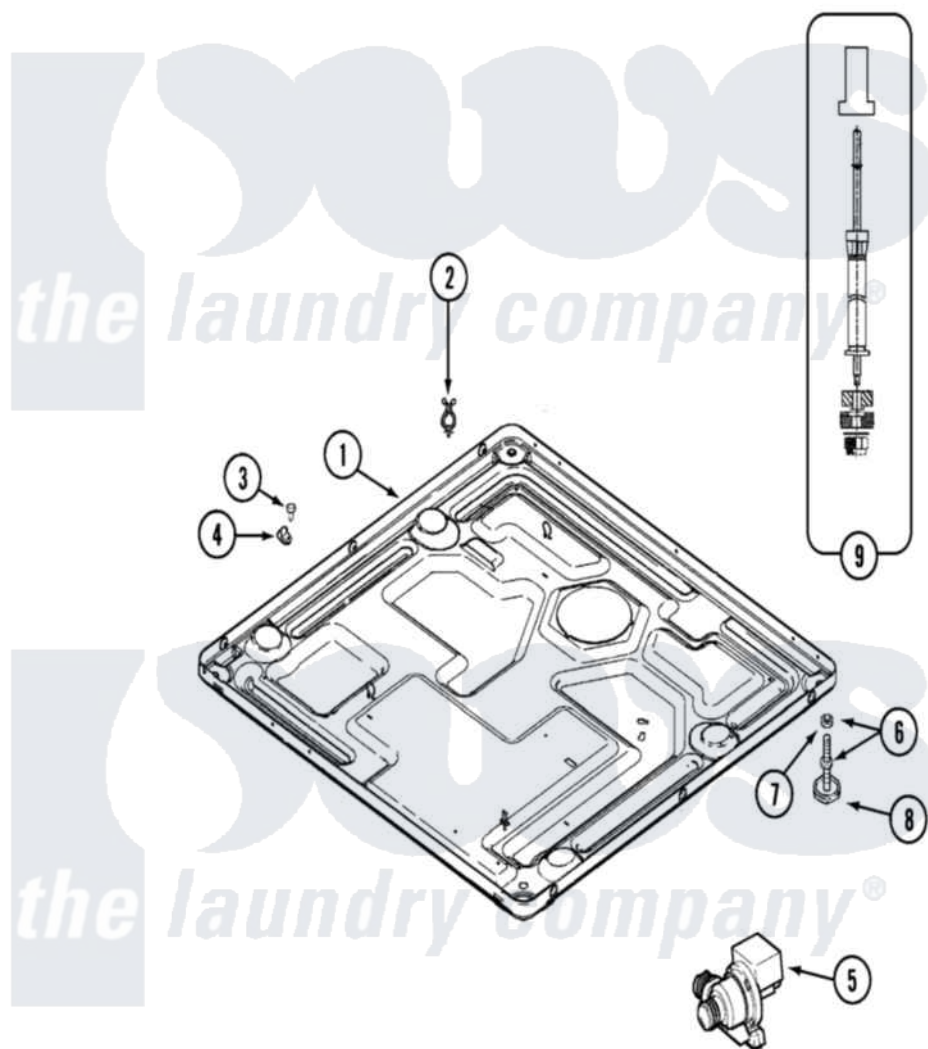


Maytag MAH14PDAAL 10 - BASE



Maytag [Commercial Maytag MAH14PDAAL Washer Parts](#) Parts Diagram 10 - BASE
 Click on the part number to view part

Item	Original Part Number	Replaced By	Status	Part Description
001	22002111	22003605		Base Weld Assembly
"	22002240	22003435		Base, Assembly
002	315471	22003298		Retainer, Wire
003	212276	W10116760		Screw
004	22002014			Clip, Harness To Support
005	22001982	22003059		Pump, Drain
"	22002939	22003059		Pump, Drain
006	22001915	22003544		Adjustable Leg W/Foot And Nut
007	Y052740	62739		Nut, Lock
008	210684			Foot, Adjustable Leg
009	22001988			Strut Assembly-Rear