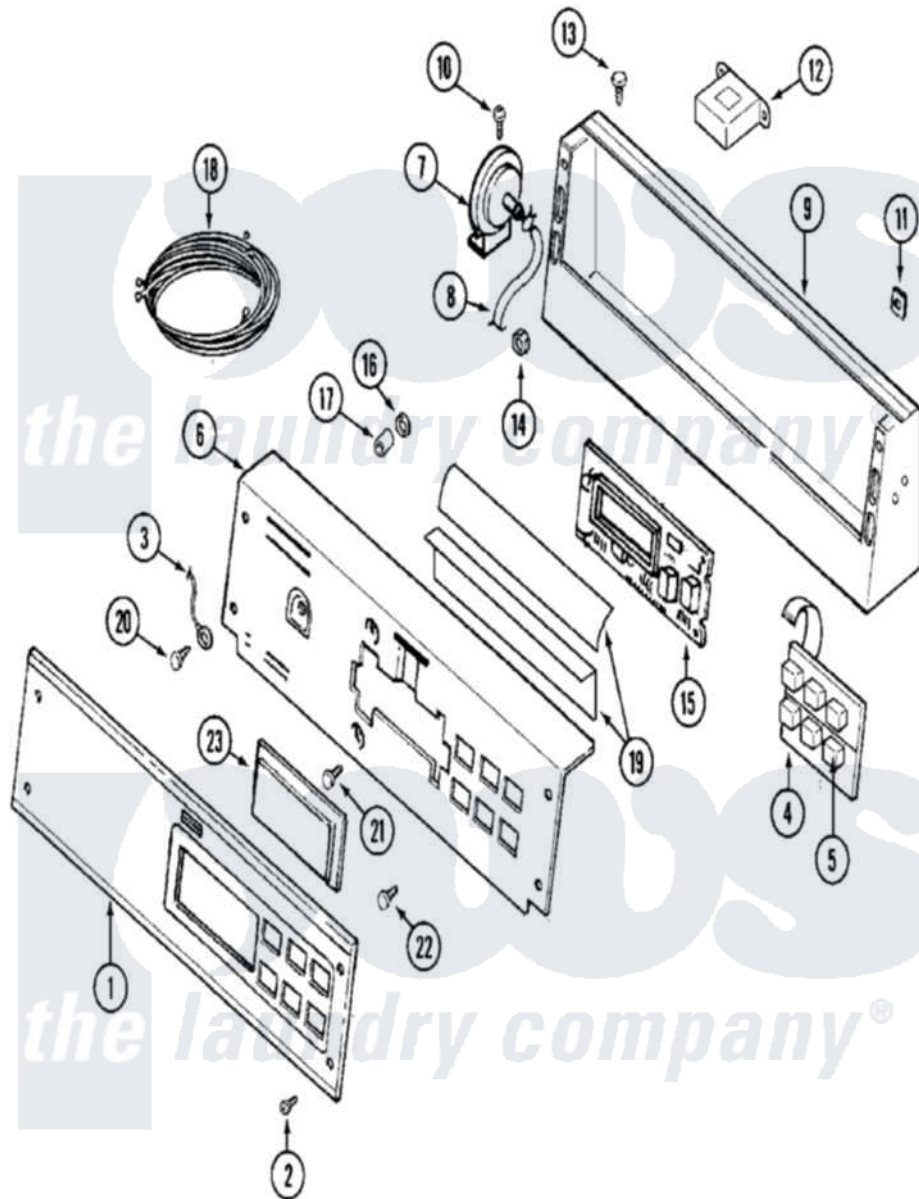


Maytag MAH14PDABL 01 - CONTROL PANEL



Maytag [Commercial Maytag MAH14PDABL Washer Parts](#) Parts Diagram 01 - CONTROL PANEL
 Click on the part number to view part

Item	Original Part Number	Replaced By	Status	Part Description
001	22002043	22004349		Facia - Pd/Ps
002	215506			Screw, Control Panel Overlay
003	205810			Wire, Ground
004	206808	W10135389		Push Button And Switch Assembly
"	215527	W10140652		Screw, 6-20 X 1/2
005	215517	W10131113		Push Button
006	22002036			Switch Bracket And Back Brkt-White
"	22002037	22002929		Switch Brkt And Back Brkt
007	22002048	22002921		Switch- Pr
008	22002010			Hose, Pressure Switch
"	NLA		Not Available	CLIP, PRESSURE SWITCH HOSE
009	22002329			Console
"	22002330	22002889		Console
010	22001996	3370225		Screw

011	215003		Fastener, Panel And Bracket
012	22001960		Transformer
013	211251		Screw, Transformer
014	22001419		Nut, Transformer
015	22002030	22004335	Control Board
"	22002328	22004335	Control Board
016	912077		Locknut, Reader Harness
017	33001204		Stand-Off, Ccontrol Board
018	22001966		Harness, Sensor Switch
"	22002110		Wire Harness, Main
"	22002254		Wire Harness, Main
"	22002404		Wire Harness, Main
"	22002471		Wire Harness, Motor Control
"	22002862		Upper Sub-Harness W/Switches
"	NLA	Not Available	WIRE HARNESS, MAIN---NA
"	NLA	Not Available	SWITCH, WATER TEMP (ALM)
019	22001511	22002954	Deflector, Water
020	211252		Screw, Ground Wire
021	215526		Screw, Circuit Board
022	215527	W10140652	Screw, 6-20 X 1/2
023	22001962	W10131114	Cover, Display

