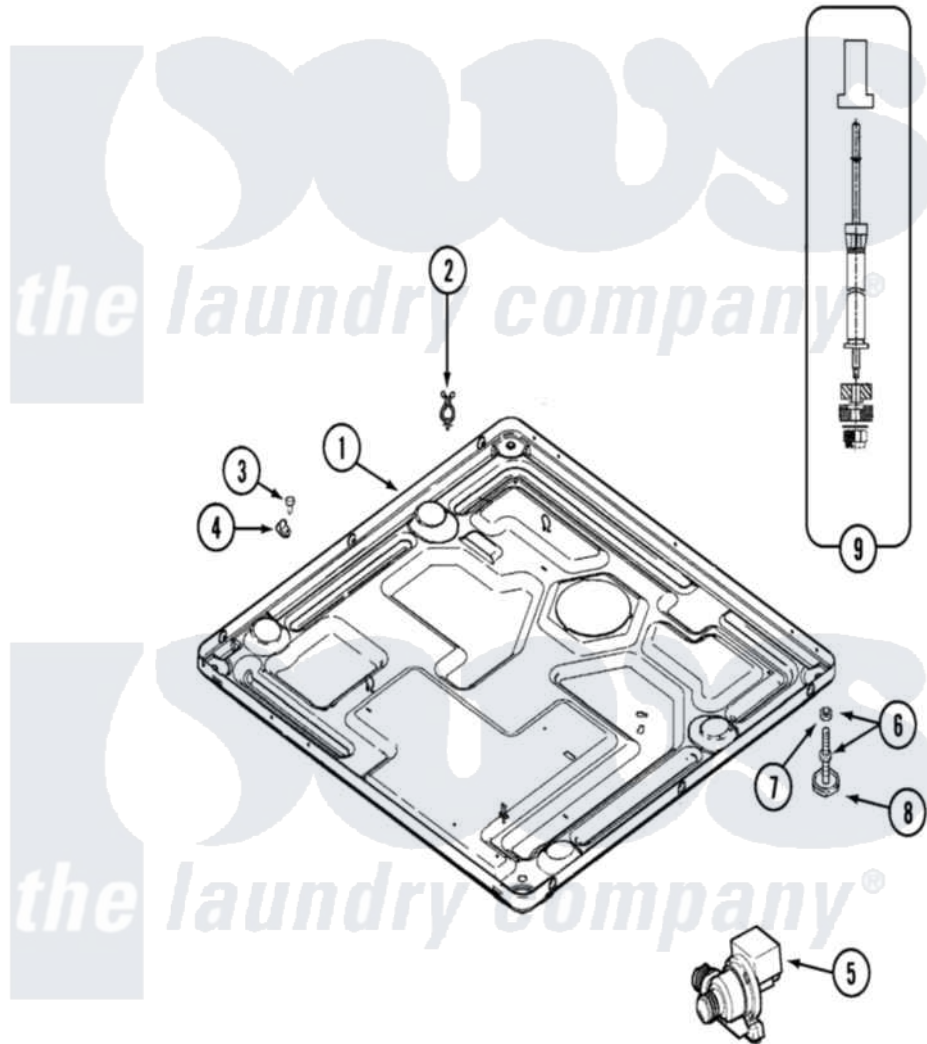


Maytag MAH14PDBAW 08 - BASE



Maytag [Commercial Maytag MAH14PDBAW Washer Parts](#) Parts Diagram 08 - BASE
 Click on the part number to view part

| Item | Original Part Number | Replaced By | Status | Part Description |
|------|--------------------------|---------------------------|--------|--------------------------------|
| 001 | 22002240 | 22003435 | | Base, Assembly |
| " | 22003580 | | | Base, Assembly |
| " | 22003605 | | | Base Weld Assembly |
| 002 | 315471 | 22003298 | | Retainer, Wire |
| 003 | 212276 | W10116760 | | Screw |
| 004 | 22002014 | | | Clip, Harness To Support |
| 005 | 22002809 | 22003635 | | Pump, High Torque |
| 006 | 22003544 | | | Adjustable Leg W/Foot And Nut |
| 007 | Y052740 | 62739 | | Nut, Lock |
| 008 | 210684 | | | Foot, Adjustable Leg |
| 009 | 22001988 | | | Strut Assembly-Rear |
| 010 | 22002120 | 12002039 | | Neptune Motor Conversion Kit |
| " | 22003216 | | | Motor Control Mounting Bracket |
| 011 | 22002471 | | | Wire Harness, Motor Control |
| 012 | 212276 | W10116760 | | Screw |

| | | | |
|-----|--------------------------|--------------------------|-------------------------------|
| 013 | 210720 | | Rivet, Bearing To Tumbler Fmt |
| 014 | 22002173 | 22002014 | Clip, Harness To Support |
| 015 | 22002476 | 22003778 | Transformer |
| " | 22002477 | | Shield, Transformer |
| " | 22003778 | | Transformer |
| 016 | 22003080 | | Clip, Airdome Hose |
| " | 33002223 | | Restrainer, Tube |

