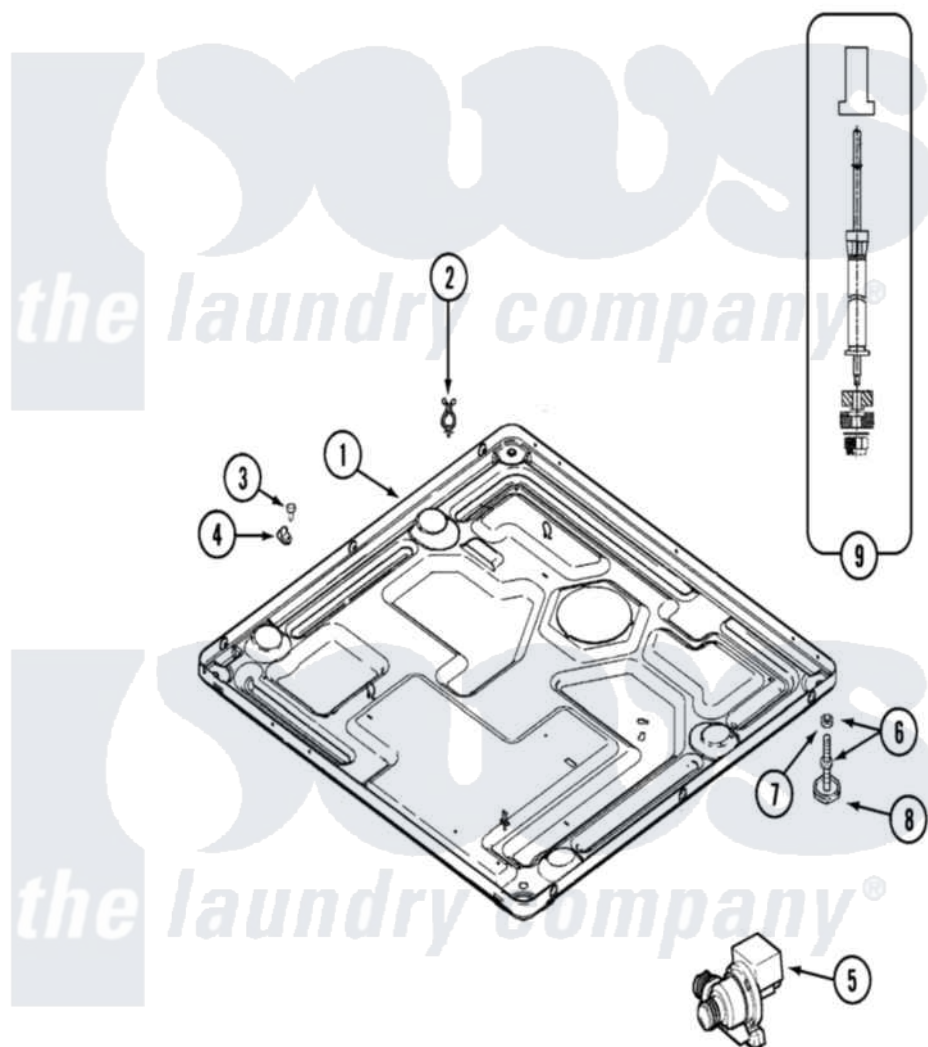


# Maytag MAH14PDBGW 08 - BASE



Maytag Commercial Maytag MAH14PDBGW Washer Parts Parts Diagram 08 - BASE  
 Click on the part number to view part

Item	Original Part Number	Replaced By	Status	Part Description
001	22002240	<a href="#">22003435</a>		Base, Assembly
"	<a href="#">22003580</a>			Base, Assembly
"	<a href="#">22003605</a>			Base Weld Assembly
002	315471	<a href="#">22003298</a>		Retainer, Wire
003	212276	<a href="#">W10116760</a>		Screw
004	<a href="#">22002014</a>			Clip, Harness To Support
005	22002809	<a href="#">22003635</a>		Pump, High Torque
006	<a href="#">22003544</a>			Adjustable Leg W/Foot And Nut
007	<a href="#">Y052740</a>	<a href="#">62739</a>		Nut, Lock
008	<a href="#">210684</a>			Foot, Adjustable Leg
009	<a href="#">22001988</a>			Strut Assembly-Rear
010	22002120	<a href="#">12002039</a>		Neptune Motor Conversion Kit
"	<a href="#">22003216</a>			Motor Control Mounting Bracket
011	<a href="#">22002471</a>			Wire Harness, Motor Control
012	212276	<a href="#">W10116760</a>		Screw

013	<a href="#">210720</a>		Rivet, Bearing To Tumbler Fmt
014	22002173	<a href="#">22002014</a>	Clip, Harness To Support
015	22002476	<a href="#">22003778</a>	Transformer
"	<a href="#">22002477</a>		Shield, Transformer
"	<a href="#">22003778</a>		Transformer
016	<a href="#">22003080</a>		Clip, Airdome Hose
"	<a href="#">33002223</a>		Restrainer, Tube

