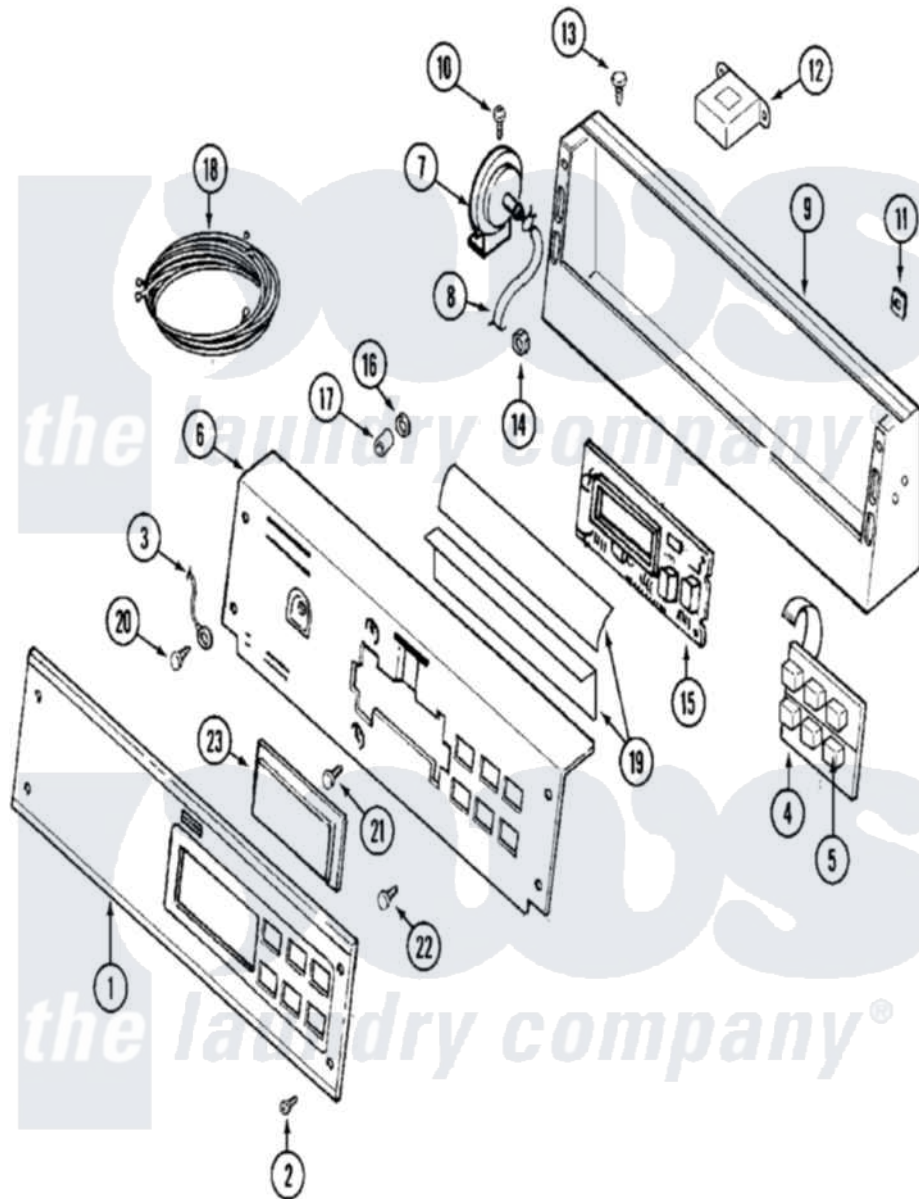


# Maytag MAH14PDSAW 01 - CONTROL PANEL



Maytag [Commercial Maytag MAH14PDSAW Washer Parts](#) Parts Diagram 01 - CONTROL PANEL  
 Click on the part number to view part

Item	Original Part Number	Replaced By	Status	Part Description
001	22002043	<a href="#">22004349</a>		Facia - Pd/Ps
002	<a href="#">215506</a>			Screw, Control Panel Overlay
003	<a href="#">205810</a>			Wire, Ground
004	206808	<a href="#">W10135389</a>		Push Button And Switch Assembly
"	215527	<a href="#">W10140652</a>		Screw, 6-20 X 1/2
005	215517	<a href="#">W10131113</a>		Push Button
006	<a href="#">22002036</a>			Switch Bracket And Back Brkt-White
"	<a href="#">22003094</a>			Switch And Back Brkt Assembly
007	22002048	<a href="#">22002921</a>		Switch- Pr
"	<a href="#">22002994</a>			Switch, Pressure
008	<a href="#">22002010</a>			Hose, Pressure Switch
"	NLA		Not Available	CLIP, PRESSURE SWITCH HOSE
009	<a href="#">22002329</a>			Console
"	<a href="#">22003089</a>			Console

010	22001996	<a href="#">3370225</a>	Screw
011	<a href="#">215003</a>		Fastener, Panel And Bracket
012	<a href="#">22001960</a>		Transformer
013	<a href="#">211251</a>		Screw, Transformer
014	<a href="#">22001419</a>		Nut, Transformer
015	22002513	<a href="#">22003559</a>	Board- Con
016	<a href="#">912077</a>		Locknut, Reader Harness
017	<a href="#">33001204</a>		Stand-Off, Ccontrol Board
018	<a href="#">22002473</a>		Wire Harness, Main
"	<a href="#">22002692</a>		Wire Harness, Main
019	22001511	<a href="#">22002954</a>	Deflector, Water
020	<a href="#">211252</a>		Screw, Ground Wire
021	<a href="#">215526</a>		Screw, Circuit Board
022	215527	<a href="#">W10140652</a>	Screw, 6-20 X 1/2
023	22001962	<a href="#">W10131114</a>	Cover, Display

