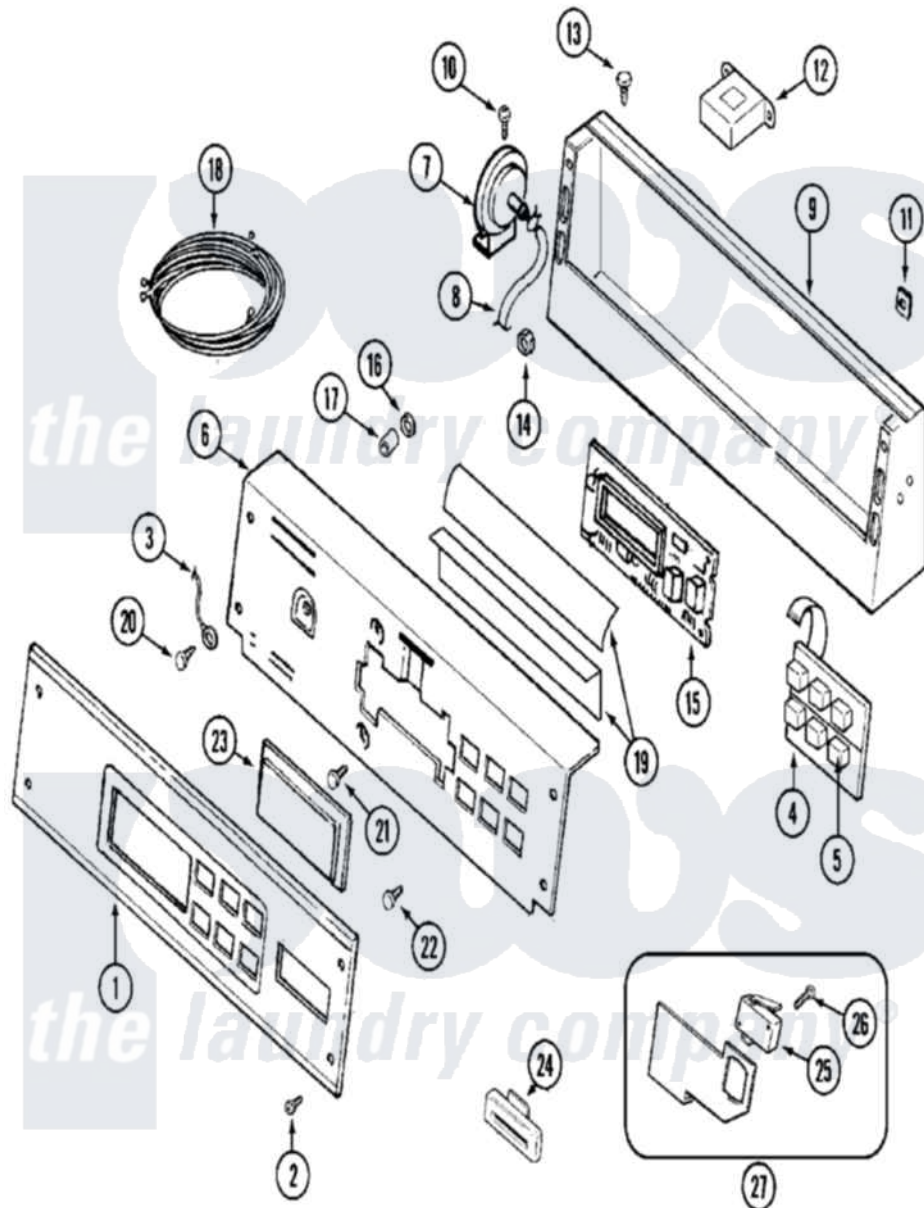


# Maytag MAH14PNAGW 01 - CONTROL PANEL



Maytag Commercial Maytag MAH14PNAGW Washer Parts Parts Diagram 01 - CONTROL PANEL  
 Click on the part number to view part

Item	Original Part Number	Replaced By	Status	Part Description
001	<a href="#">22002346</a>			Panel, Control
002	<a href="#">215506</a>			Screw, Control Panel Overlay
003	<a href="#">205810</a>			Wire, Ground
004	206808	<a href="#">W10135389</a>		Push Button And Switch Assembly
"	215527	<a href="#">W10140652</a>		Screw, 6-20 X 1/2
005	215517	<a href="#">W10131113</a>		Push Button
006	<a href="#">22002347</a>			Switch Brkt And Back Brkt
"	<a href="#">22003090</a>			Switch And Back Brkt Assembly
007	22002048	<a href="#">22002921</a>		Switch- Pr
"	<a href="#">22002994</a>			Switch, Pressure
008	<a href="#">22002010</a>			Hose, Pressure Switch
"	NLA		Not Available	CLIP, PRESSURE SWITCH HOSE
009	<a href="#">22003101</a>			Console
"	<a href="#">33001957</a>			Console

010	216423	<a href="#">3370225</a>	Screw	
011	<a href="#">215003</a>		Fastener, Panel And Bracket	
012	<a href="#">22001960</a>		Transformer	
013	<a href="#">211251</a>		Screw, Transformer	
014	<a href="#">22001419</a>		Nut, Transformer	
015	22002328	<a href="#">22004335</a>	Control Board	
016	<a href="#">912077</a>		Locknut, Reader Harness	
017	<a href="#">33001204</a>		Stand-Off, Ccontrol Board	
018	<a href="#">22002473</a>		Wire Harness, Main	
"	<a href="#">22002692</a>		Wire Harness, Main	
019	22001511	<a href="#">22002954</a>	Deflector, Water	
020	<a href="#">211252</a>		Screw, Ground Wire	
021	<a href="#">215526</a>		Screw, Circuit Board	
022	215527	<a href="#">W10140652</a>	Screw, 6-20 X 1/2	
023	22001962	<a href="#">W10131114</a>	Cover, Display	
"	<a href="#">33002090</a>		Harness, Service	
024	22002074		Not Available	BEZEL, COMMERCIAL
"	33002092	<a href="#">W10133266</a>		Cam-Lock
025	<a href="#">22002367</a>		Switch, Sensor	
026	<a href="#">22002368</a>		Screw, Sensor Switch Bracket	
027	<a href="#">33001982</a>		Bracket, Switch Mounting	

