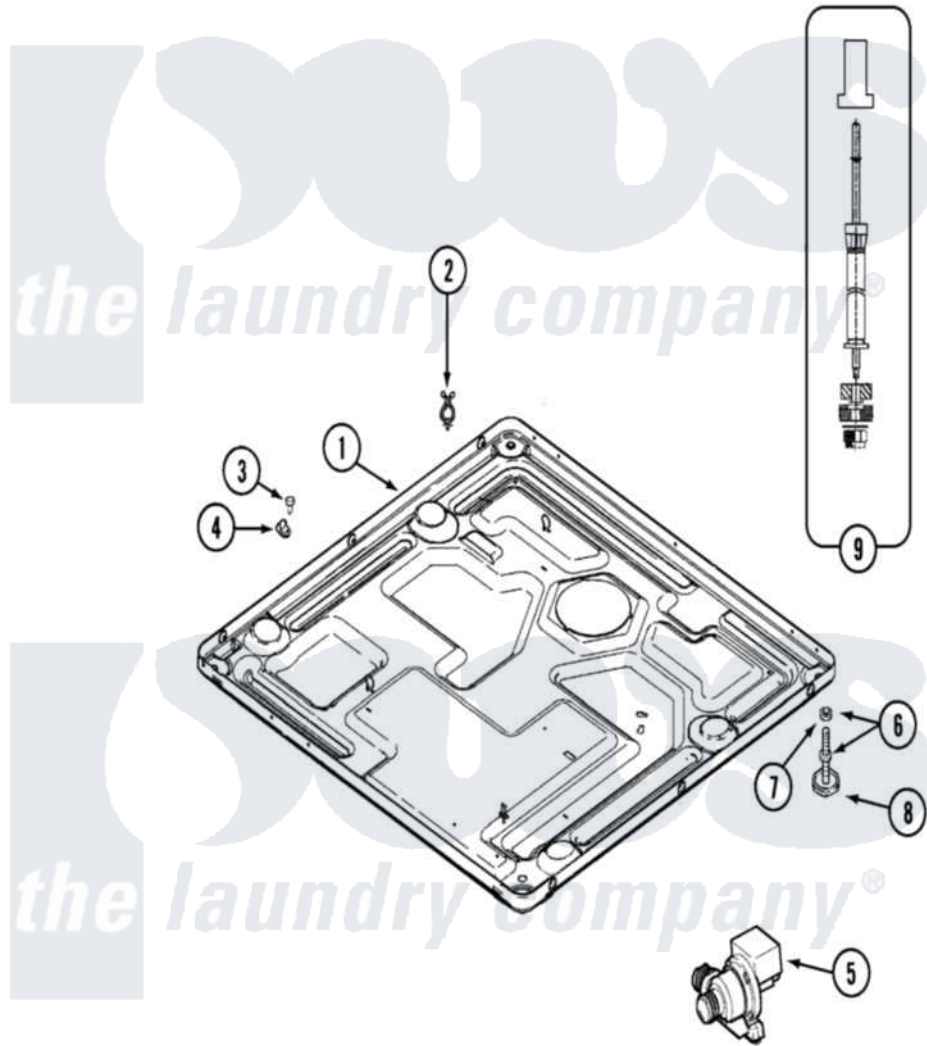


# Maytag MAH14PNAGW 09 - BASE



Maytag Commercial Maytag MAH14PNAGW Washer Parts Parts Diagram 09 - BASE  
 Click on the part number to view part

| Item | Original Part Number     | Replaced By               | Status | Part Description              |
|------|--------------------------|---------------------------|--------|-------------------------------|
| 001  | 22002240                 | <a href="#">22003435</a>  |        | Base, Assembly                |
| "    | <a href="#">22003580</a> |                           |        | Base, Assembly                |
| 002  | 315471                   | <a href="#">22003298</a>  |        | Retainer, Wire                |
| 003  | 212276                   | <a href="#">W10116760</a> |        | Screw                         |
| 004  | <a href="#">22002014</a> |                           |        | Clip, Harness To Support      |
| 005  | 22002809                 | <a href="#">22003635</a>  |        | Pump, High Torque             |
| 006  | 22001915                 | <a href="#">22003544</a>  |        | Adjustable Leg W/Foot And Nut |
| 007  | <a href="#">Y052740</a>  | <a href="#">62739</a>     |        | Nut, Lock                     |
| 008  | <a href="#">210684</a>   |                           |        | Foot, Adjustable Leg          |
| 009  | <a href="#">22001988</a> |                           |        | Strut Assembly-Rear           |
| 010  | 22002476                 | <a href="#">22003778</a>  |        | Transformer                   |
| "    | <a href="#">22002477</a> |                           |        | Shield, Transformer           |