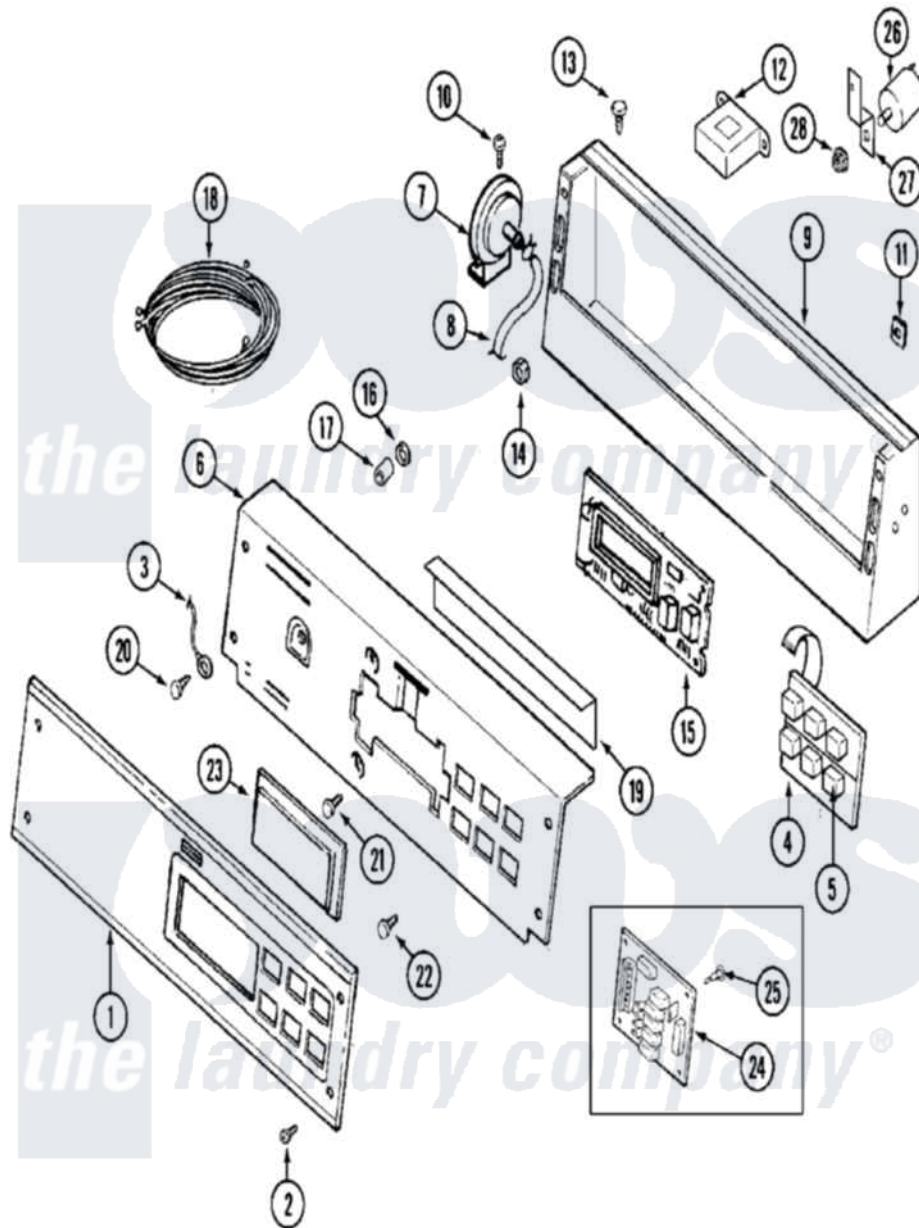


Maytag MAH20PDA3W 01 - CONTROL PANEL



Maytag [Commercial Maytag MAH20PDA3W Washer Parts](#) Parts Diagram 01 - CONTROL PANEL
 Click on the part number to view part

Item	Original Part Number	Replaced By	Status	Part Description
001	22002043	22004349		Facia - Pd/Ps
002	215506			Screw, Control Panel Overlay
003	205810			Wire, Ground
004	206808	W10135389		Push Button And Switch Assembly
"	215527	W10140652		Screw, 6-20 X 1/2
005	215517	W10131113		Push Button
006	22002036			Switch Bracket And Back Brkt-White
007	22002994			Switch, Pressure
008	22002010			Hose, Pressure Switch
009	22003089			Console
010	22001996	3370225		Screw
011	215003			Fastener, Panel And Bracket
012	22001960			Transformer
013	211251			Screw, Transformer
014	22001419			Nut, Transformer

015	22002953	22004335	Control Board
"	22003042	22004335	Control Board
"	22003231	22003789	Board- Con
016	912077		Locknut, Reader Harness
017	33001204		Stand-Off, Ccontrol Board
018	22003214		Harness, Wire
019	22002954		Deflector, Water
020	211252		Screw, Ground Wire
021	215526		Screw, Circuit Board
022	215527	W10140652	Screw, 6-20 X 1/2
023	22001962	W10131114	Cover, Display
024	22002971	22004171	Relay Board OPL
025	22002943		Stand-Off
026	22003047		Filter, Power Line
"	22003050		Wire, Ground
027	22003048	22003602	Bracket- P
"	912365	3370225	Screw
028	22003049	22003725	Nut, 8mm

