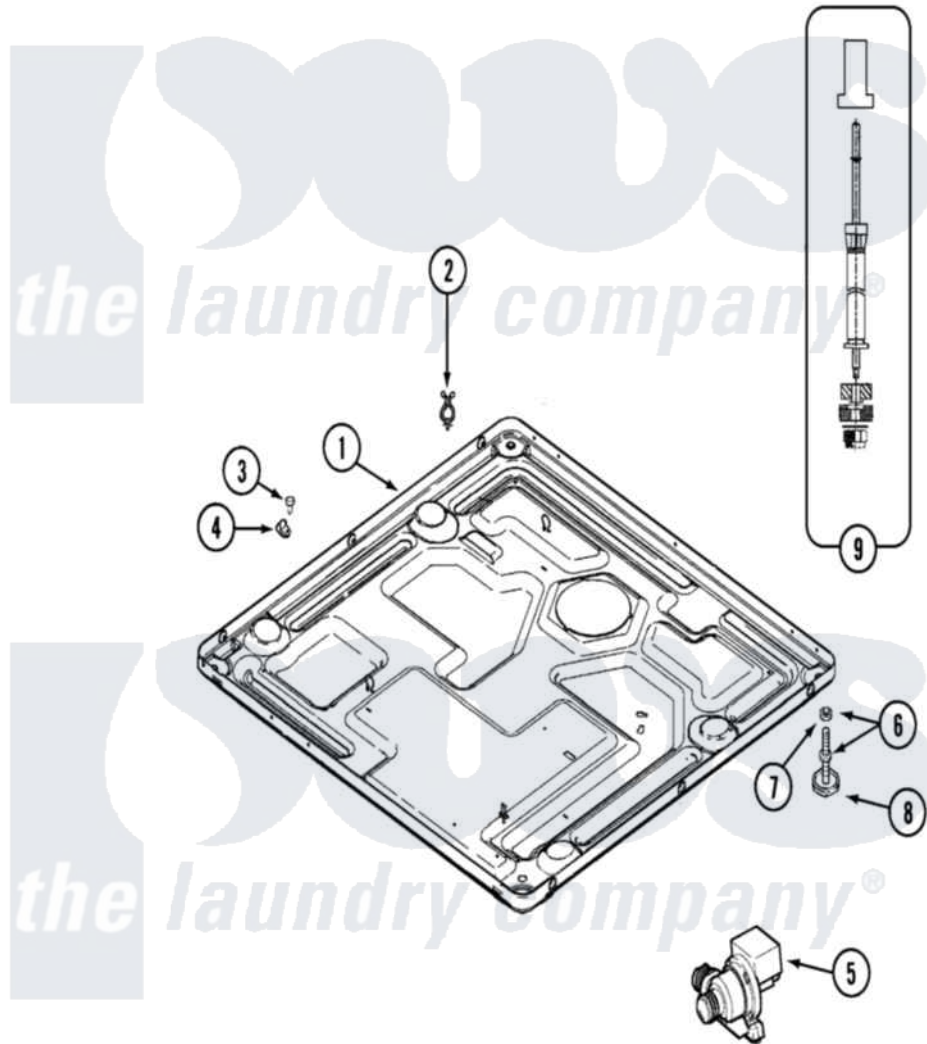


# Maytag MAH20PDA3W 09 - BASE



Maytag [Commercial Maytag MAH20PDA3W Washer Parts](#) Parts Diagram 09 - BASE  
 Click on the part number to view part

Item	Original Part Number	Replaced By	Status	Part Description
001	22002240	<a href="#">22003435</a>		Base, Assembly
"	<a href="#">22003580</a>			Base, Assembly
"	<a href="#">22003605</a>			Base Weld Assembly
002	315471	<a href="#">22003298</a>		Retainer, Wire
003	212276	<a href="#">W10116760</a>		Screw
004	<a href="#">22002014</a>			Clip, Harness To Support
005	22003043	<a href="#">22003635</a>		Pump, High Torque
006	22001915	<a href="#">22003544</a>		Adjustable Leg W/Foot And Nut
007	<a href="#">Y052740</a>	<a href="#">62739</a>		Nut, Lock
008	<a href="#">210684</a>			Foot, Adjustable Leg
009	<a href="#">22001988</a>			Strut Assembly-Rear
010	<a href="#">22003046</a>			Transformer
"	<a href="#">33001882</a>			Screw, Transformer Mounting