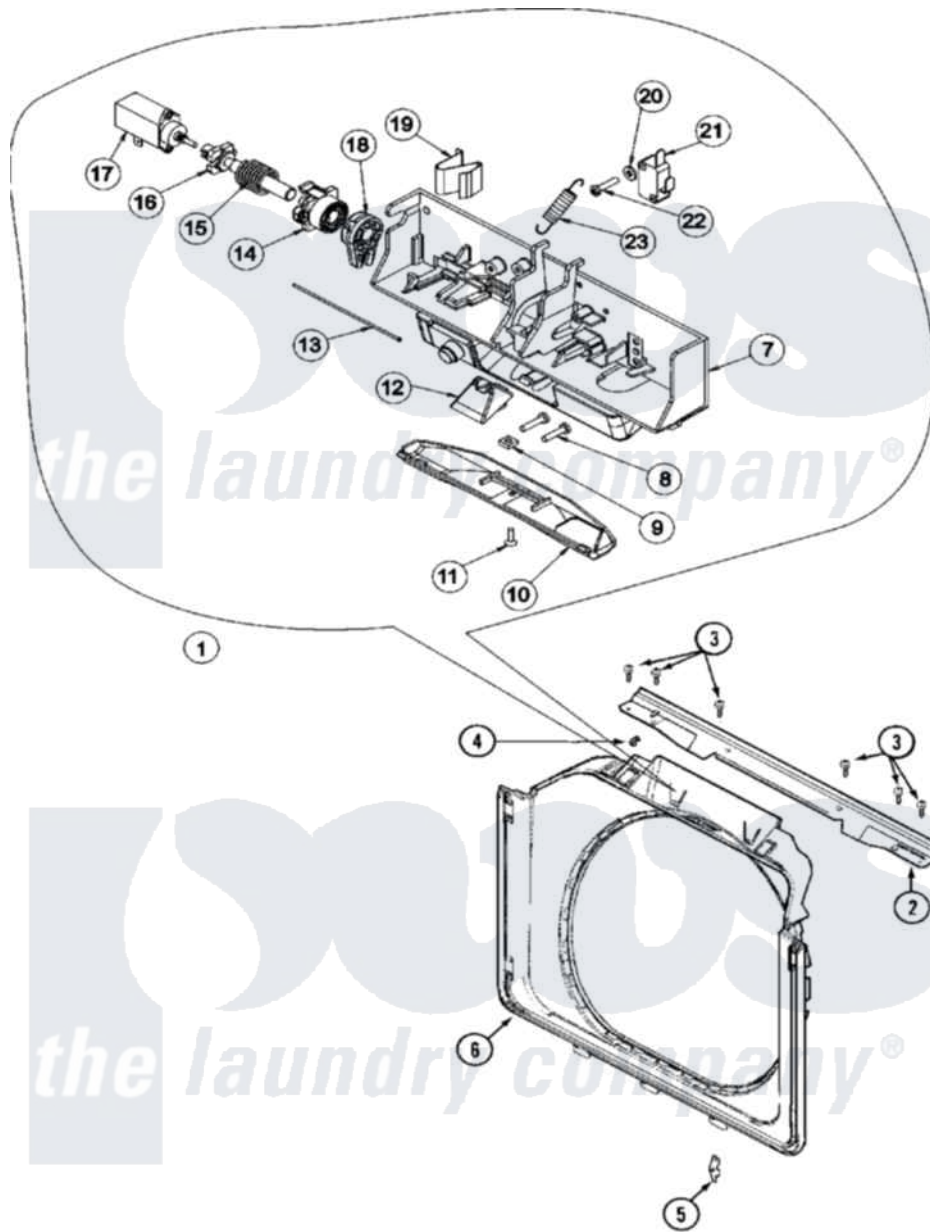


Maytag MAH20PDA3W 10 - DOOR SHROUD & DOOR LATCH ASSEMBLY



Maytag [Commercial Maytag MAH20PDA3W Washer Parts](#) Parts Diagram 10 - DOOR SHROUD & DOOR LATCH ASSEMBLY

[Click on the part number to view part](#)

Item	Original Part Number	Replaced By	Status	Part Description
001	NLA		Not Available	LATCH, ASSY. (DOM/COMMERCIAL)
002	22002015			Support, Door Lock
"	22003637			BRACE ASSEMBLY, TOP CROSS CONTAINS ITEMS 12 & 13
003	22001995			Screw Note: Screw, Tumbler Front And Shroud
004	22002014			Clip, Harness To Support
005	22002095	12001994		Cover
"	33001764			Cover, Hinge Hole
"	33001846			Screw, Hinge Hole Cover
006	22002234			Shroud And Dispenser Hose
007	22003722			Switch Holder Assembly, Latch
008	22003719			Screw, Latch
009	22003720			Nut, Latch
010	22002957			Cover, Latch Assembly

011	22002435	241877	Screw
012	22003055		Ramp, Door Hoop
013	22002164		Cable, Door
014	22003715		Sliding Gear, Latch
015	22003721		Spring, Axle / Latch
016	22003718		Axle, Latch
017	22002119		Motor, Wax
018	22003716		Rotating Gear, Latch
019	22003717		Spring, Latch
020	22001352		Screw, Check Switch
021	22002165		Washer, Door Lock Switch
022	22002162		Switch, Door Lock Spin Enable
023	22002158		Spring, Gear Return

the laundry company[®]

the laundry company[®]

the laundry company[®]