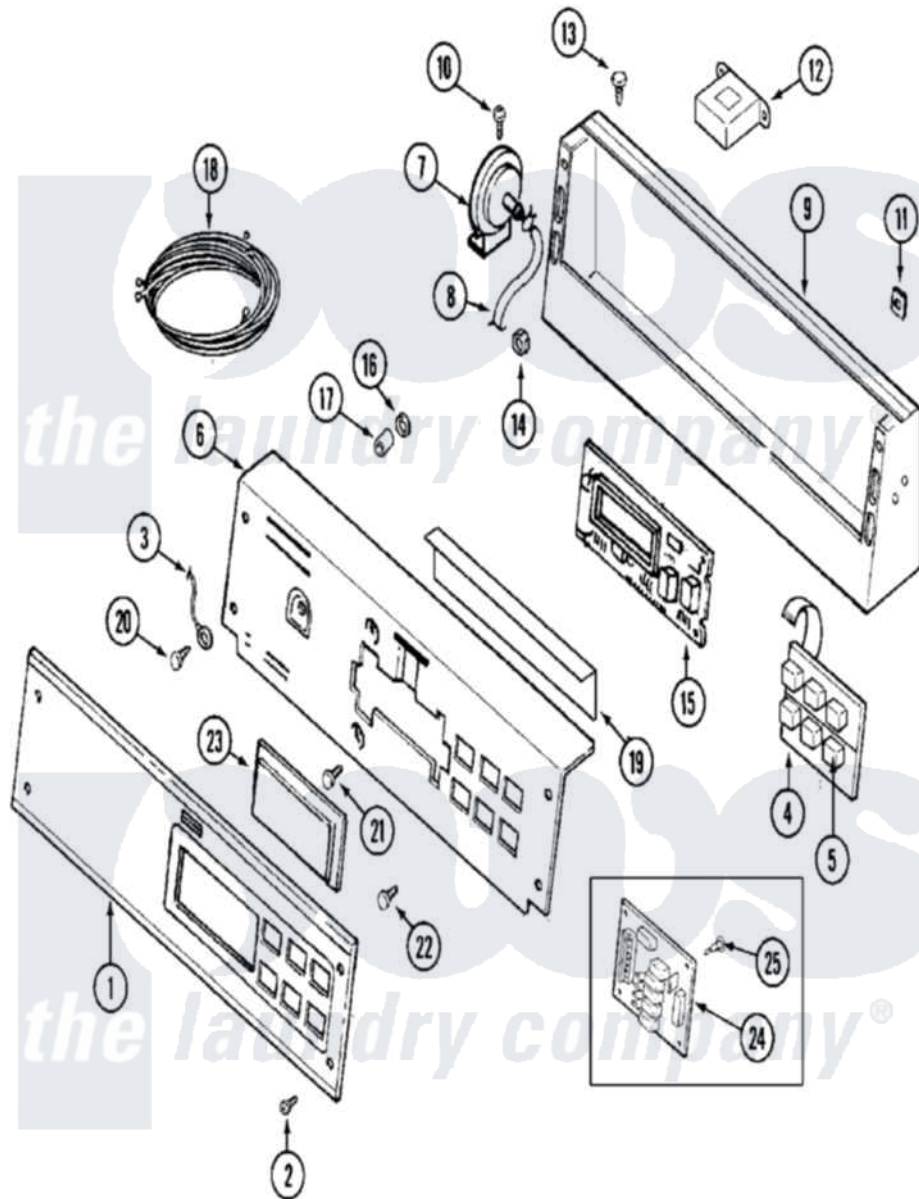


Maytag MAH20PDAWW 01 - CONTROL PANEL (PD/PS)



Maytag Commercial Maytag MAH20PDAWW Washer Parts Parts Diagram 01 - CONTROL PANEL (PD/PS)
 Click on the part number to view part

Item	Original Part Number	Replaced By	Status	Part Description
001	22002043	22004349		Facia - Pd/Ps
002	215506			Screw, Control Panel Overlay
003	205810			Wire, Ground
004	206808	W10135389		Push Button And Switch Assembly
"	215527	W10140652		Screw, 6-20 X 1/2
005	215517	W10131113		Push Button
006	22002036			Switch Bracket And Back Brkt-White
"	22002929			Switch Brkt And Back Brkt
"	22003094			Switch And Back Brkt Assembly
"	22003095			Switch And Back Brkt Assembly
007	22002048	22002921		Switch- Pr
"	22002994			Switch, Pressure
008	22002010			Hose, Pressure Switch
009	22002329			Console

"	22002889		Console
"	22003088		Console
"	22003089		Console
010	22001996	3370225	Screw
011	215003		Fastener, Panel And Bracket
012	22001960		Transformer
013	211251		Screw, Transformer
014	22001419		Nut, Transformer
015	22002953	22004335	Control Board
016	912077		Locknut, Reader Harness
017	33001204		Stand-Off, Ccontrol Board
018	22002945		Harness, Wire
019	22002954		Deflector, Water
020	211252		Screw, Ground Wire
021	215526		Screw, Circuit Board
022	215527	W10140652	Screw, 6-20 X 1/2
023	22001962	W10131114	Cover, Display
024	22002942	22004172	Relay Board Drs
025	22002943		Stand-Off

