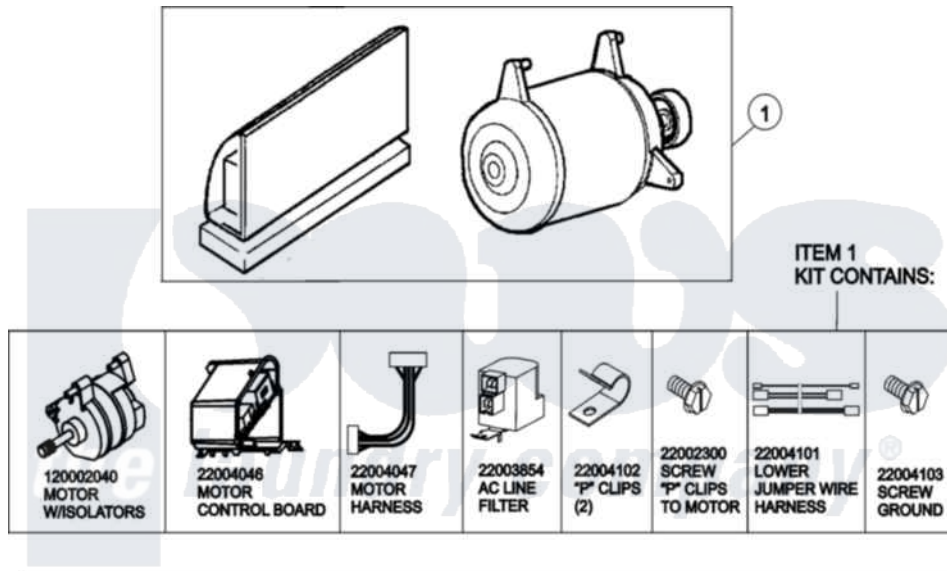
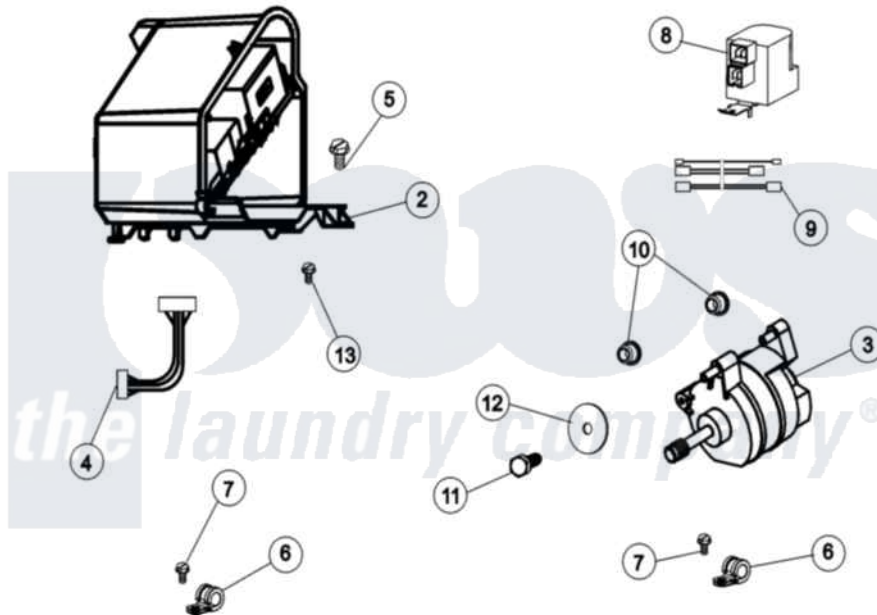


# Maytag MAH20PDAWW 12 - MOTOR & MOTOR CONTROL



(SEE TEXT FOR ITEMS 2, 3, 4 AND 8)



Maytag [Commercial Maytag MAH20PDAWW Washer Parts](#) Parts Diagram 12 - MOTOR & MOTOR CONTROL  
 Click on the part number to view part

Item	Original Part Number	Replaced By	Status	Part Description
001	<a href="#">12002039</a>			Neptune Motor Conversion Kit
002	<a href="#">22004046</a>			Control Assembly, Motor
003	<a href="#">22003856</a>			Motor, Variable Speed
004	22004047	<a href="#">22004212</a>		Motor Harness
005	<a href="#">33002190</a>			SCrew, C BraCe, BraCket, Cabinet
006	<a href="#">22004102</a>			P Clips
007	22002300	<a href="#">9740848</a>		Screw, Mixing Valve Mounting
008	<a href="#">22003854</a>	<a href="#">22003858</a>		EMI Suppression Filter, 16a
009	<a href="#">22004101</a>			Repair Jumper Harness
010	<a href="#">22003329</a>			Isolator, Motor
011	<a href="#">22003686</a>			Bolt, Motor
012	<a href="#">22002320</a>			Washer, Belt Tension Bolt
013	<a href="#">22004103</a>			Screw