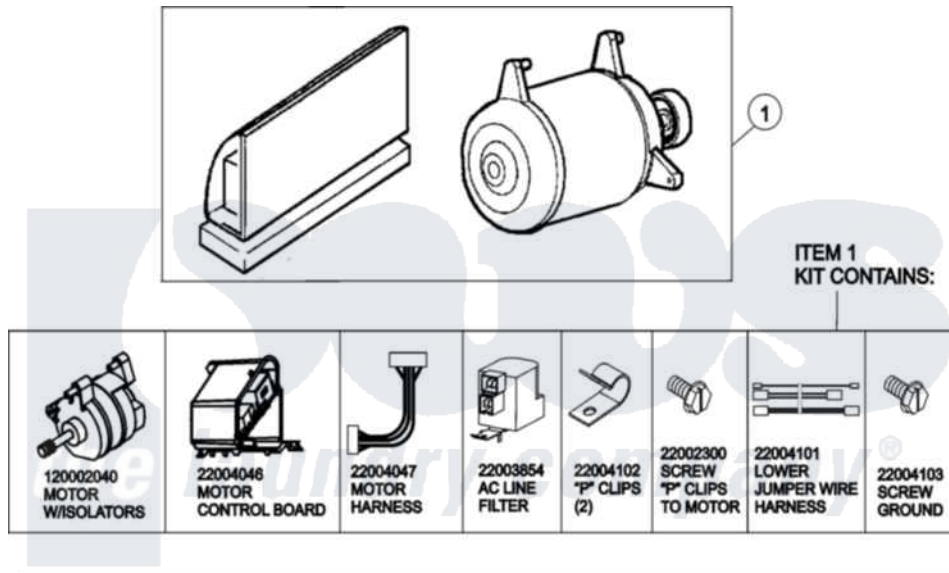


Maytag MAH20PDCXQ 14 - MOTOR & MOTOR CONTROL(MAH20PDCXx)



(SEE TEXT FOR ITEMS 2, 3, 4 AND 8)



Maytag Commercial Maytag MAH20PDCXQ Washer Parts Parts Diagram 14 - MOTOR & MOTOR CONTROL(MAH20PDCXx)

Click on the part number to view part

| Item | Original Part Number | Replaced By | Status | Part Description |
|------|--------------------------|--------------------------|--------|----------------------------------|
| 001 | 12002039 | | | Neptune Motor Conversion Kit |
| 002 | 22004046 | | | Control Assembly, Motor |
| 003 | 22003856 | | | Motor, Variable Speed |
| 004 | 22004047 | 22004212 | | Motor Harness |
| 005 | 33002190 | | | SCrew, C BraCe, BraCket, Cabinet |
| 006 | 22004102 | | | P Clips |
| 007 | 22002300 | 9740848 | | Screw, Mixing Valve Mounting |
| 008 | 22003854 | 22003858 | | EMI Suppression Filter, 16a |
| 009 | 22004101 | | | Repair Jumper Harness |
| 010 | 22003329 | | | Isolator, Motor |
| 011 | 22003686 | | | Bolt, Motor |
| 012 | 22002320 | | | Washer, Belt Tension Bolt |
| 013 | 22004103 | | | Screw |