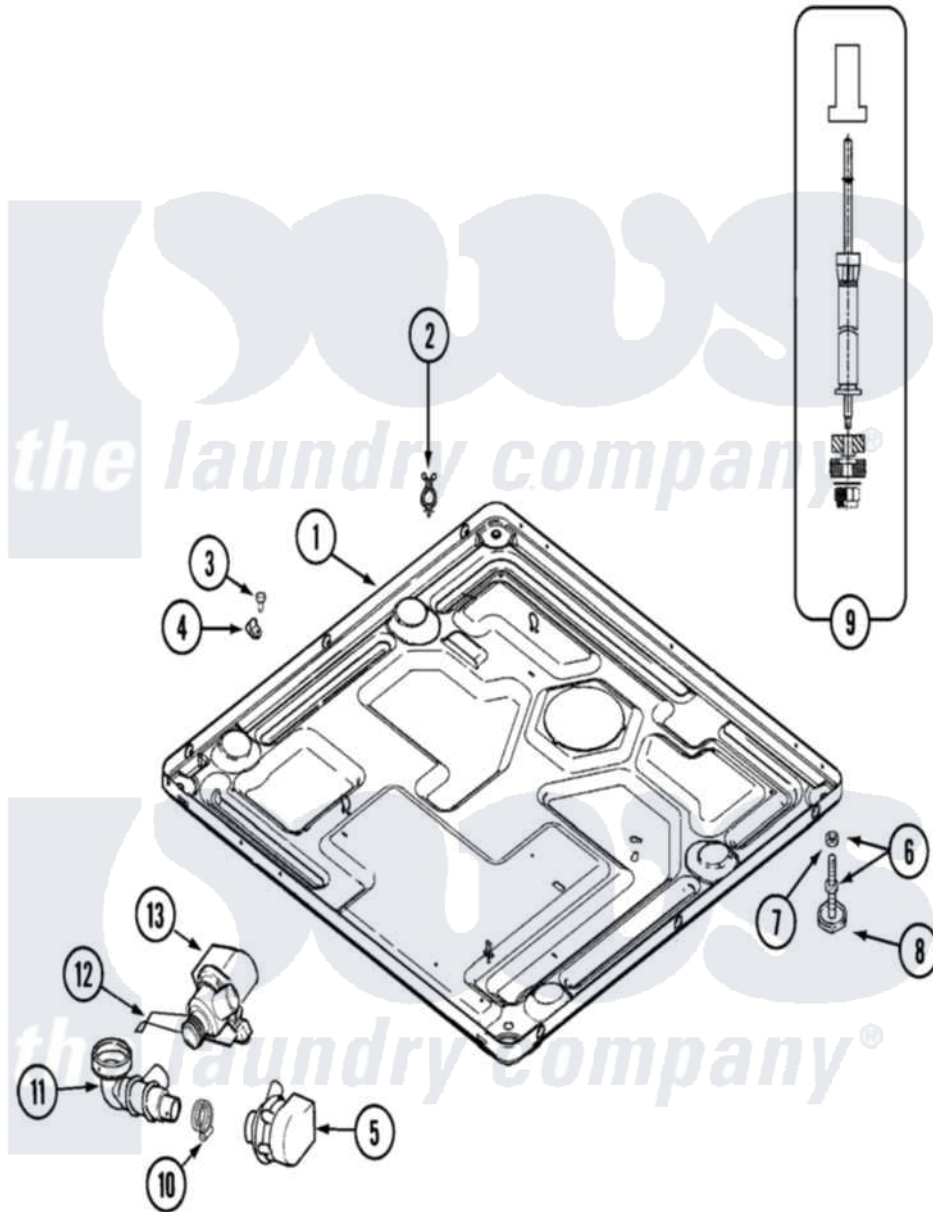


Maytag MAH20PDCXW 12 - BASE(MAH20PDCXx)



Maytag [Commercial Maytag MAH20PDCXW Washer Parts](#) Parts Diagram 12 - BASE(MAH20PDCXx)
 Click on the part number to view part

| Item | Original Part Number | Replaced By | Status | Part Description |
|------|--------------------------|---------------------------|--------|-------------------------------|
| 001 | 22003605 | | | Base Weld Assembly |
| 002 | 315471 | 22003298 | | Retainer, Wire |
| 003 | 212276 | W10116760 | | Screw |
| 004 | 22002014 | | | Clip, Harness To Support |
| 005 | 22002939 | 22003059 | | Pump, Drain |
| " | 22003059 | | | Pump, Drain |
| 006 | 22001915 | 22003544 | | Adjustable Leg W/Foot And Nut |
| 007 | Y052740 | 62739 | | Nut, Lock |
| 008 | 210684 | | | Foot, Adjustable Leg |
| 009 | 22001988 | | | Strut Assembly-Rear |
| 010 | 202515 | 596669 | | Clamp, Manifold |
| 011 | 22002793 | 22002958 | | Hose, Outlet |
| " | 22002958 | | | Hose, Outlet |
| 012 | 22002790 | | | Bracket, Pump Mount |
| 013 | 202515 | 596669 | | Clamp, Manifold |
| " | 22002792 | | | Pump |

