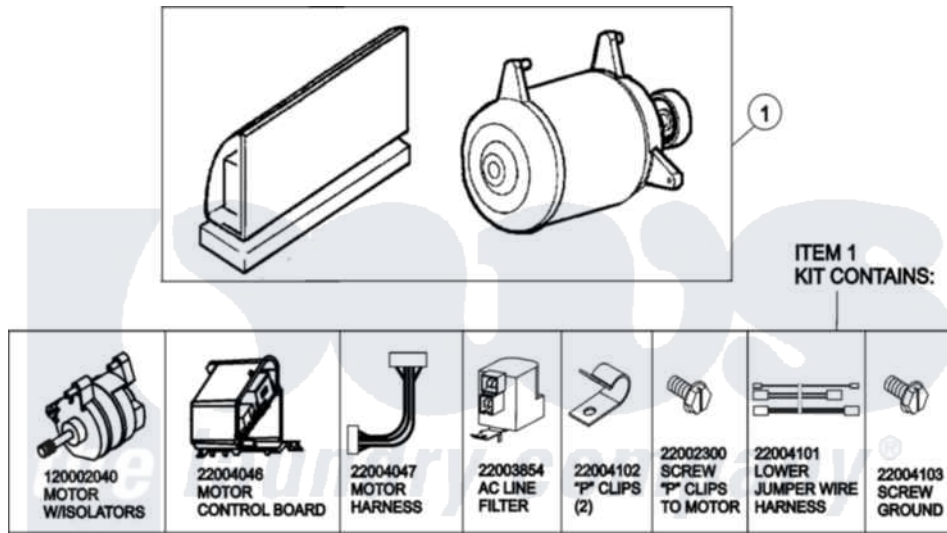
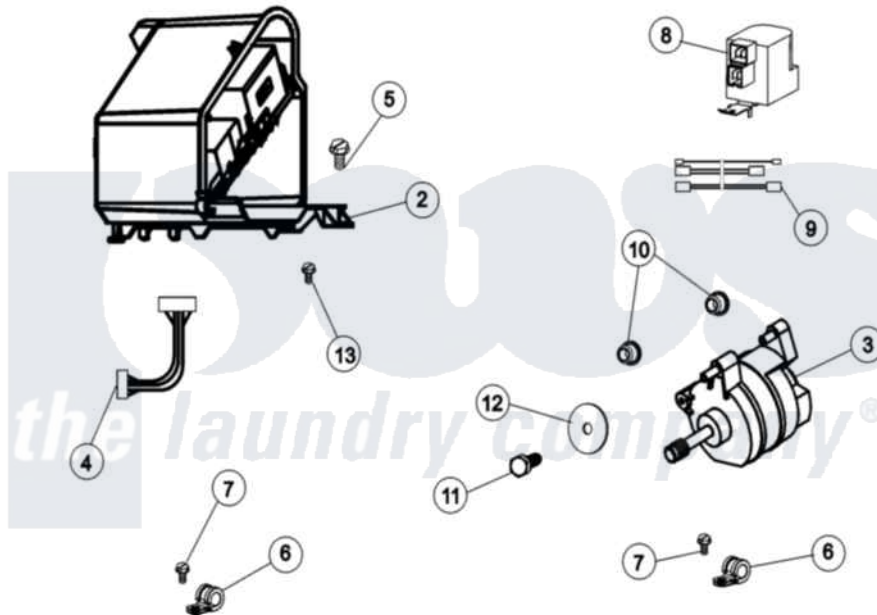


Maytag MAH20PDCXW 14 - MOTOR & MOTOR CONTROL(MAH20PDCXx)



(SEE TEXT FOR ITEMS 2, 3, 4 AND 8)



Maytag Commercial Maytag MAH20PDCXW Washer Parts Parts Diagram 14 - MOTOR & MOTOR CONTROL(MAH20PDCXx)

Click on the part number to view part

Item	Original Part Number	Replaced By	Status	Part Description
001	12002039			Neptune Motor Conversion Kit
002	22004046			Control Assembly, Motor
003	22003856			Motor, Variable Speed
004	22004047	22004212		Motor Harness
005	33002190			SCrew, C BraCe, BraCket, Cabinet
006	22004102			P Clips
007	22002300	9740848		Screw, Mixing Valve Mounting
008	22003854	22003858		EMI Suppression Filter, 16a
009	22004101			Repair Jumper Harness
010	22003329			Isolator, Motor
011	22003686			Bolt, Motor
012	22002320			Washer, Belt Tension Bolt
013	22004103			Screw