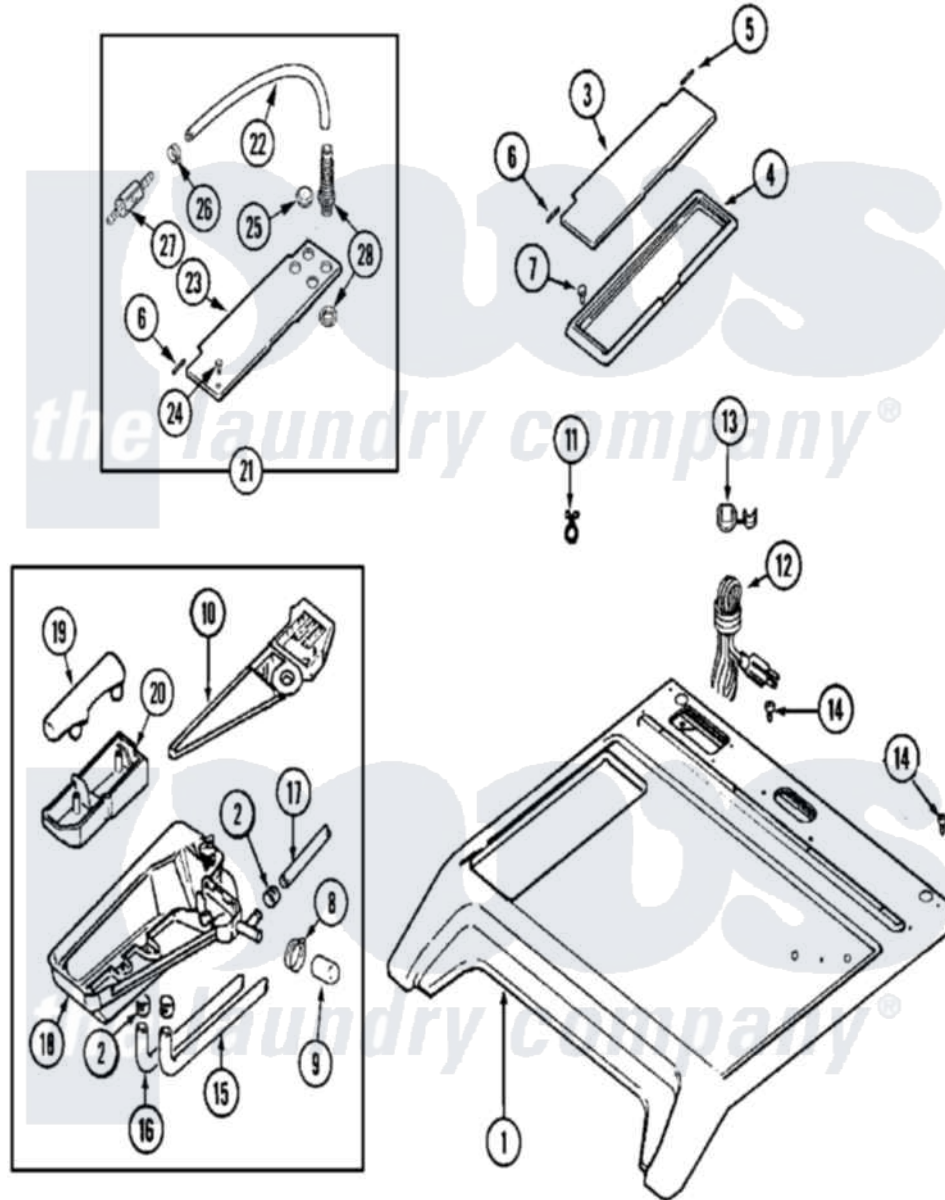


# Maytag MAH20PNAWW 08 - TOP (MAH20PNAWW)



Maytag Commercial Maytag MAH20PNAWW Washer Parts Parts Diagram 08 - TOP (MAH20PNAWW)  
 Click on the part number to view part

Item	Original Part Number	Replaced By	Status	Part Description
001	<a href="#">22002116</a>			Cover, Top
"	22003584	<a href="#">22004180</a>		Cover, Top
002	205161	<a href="#">489503</a>		Clamp
003	<a href="#">22002941</a>			Lid, Dispenser Commercial
004	22002940	<a href="#">22003665</a>		Bezel, Dispenser
005	Y912678	<a href="#">6-912678</a>		Pin- Hinge
006	<a href="#">Y912679</a>			Pin, Hinge
007	22002060	<a href="#">400021-1</a>		Screw
008	<a href="#">22001984</a>	<a href="#">285655</a>		Clamp, Hose
009	<a href="#">22002796</a>			Cap
010	<a href="#">22002555</a>			Flume, Dispenser
011	212276	<a href="#">W10116760</a>		Screw
"	22002027	<a href="#">74007164</a>		Lock- Purs
012	22001178	<a href="#">22003062</a>		Cord, Power
013	<a href="#">211881</a>			Grommet, Cord Part Not Used- Gas Models Only
014	912365	<a href="#">3370225</a>		Screw

015	<a href="#">22002551</a>		Hose, Bleach
016	<a href="#">22002552</a>		Hose, Fabric Softener---NA
017	<a href="#">22002553</a>		Hose, Detergent
018	22002768	<a href="#">12001558</a>	Dispenser Bottom With 4 Clamps
019	<a href="#">22002266</a>		Cap, Siphon
020	<a href="#">22002265</a>		Cup, Siphon
021	<a href="#">12001671</a>		Chemical Inject.dispenser Assembly
022	<a href="#">22003017</a>		Tubing
023	<a href="#">22002909</a>		Lid, Dispenser
024	22002910	<a href="#">3400806</a>	Screw
025	<a href="#">22002911</a>		Plug, Hole
026	22003018	<a href="#">596669</a>	Clamp, Manifold
027	<a href="#">22003019</a>		Valve, Check
028	<a href="#">22002908</a>		Tube Fitting, Flexible
"	<a href="#">33001989</a>		Retainer, Vault Switch

