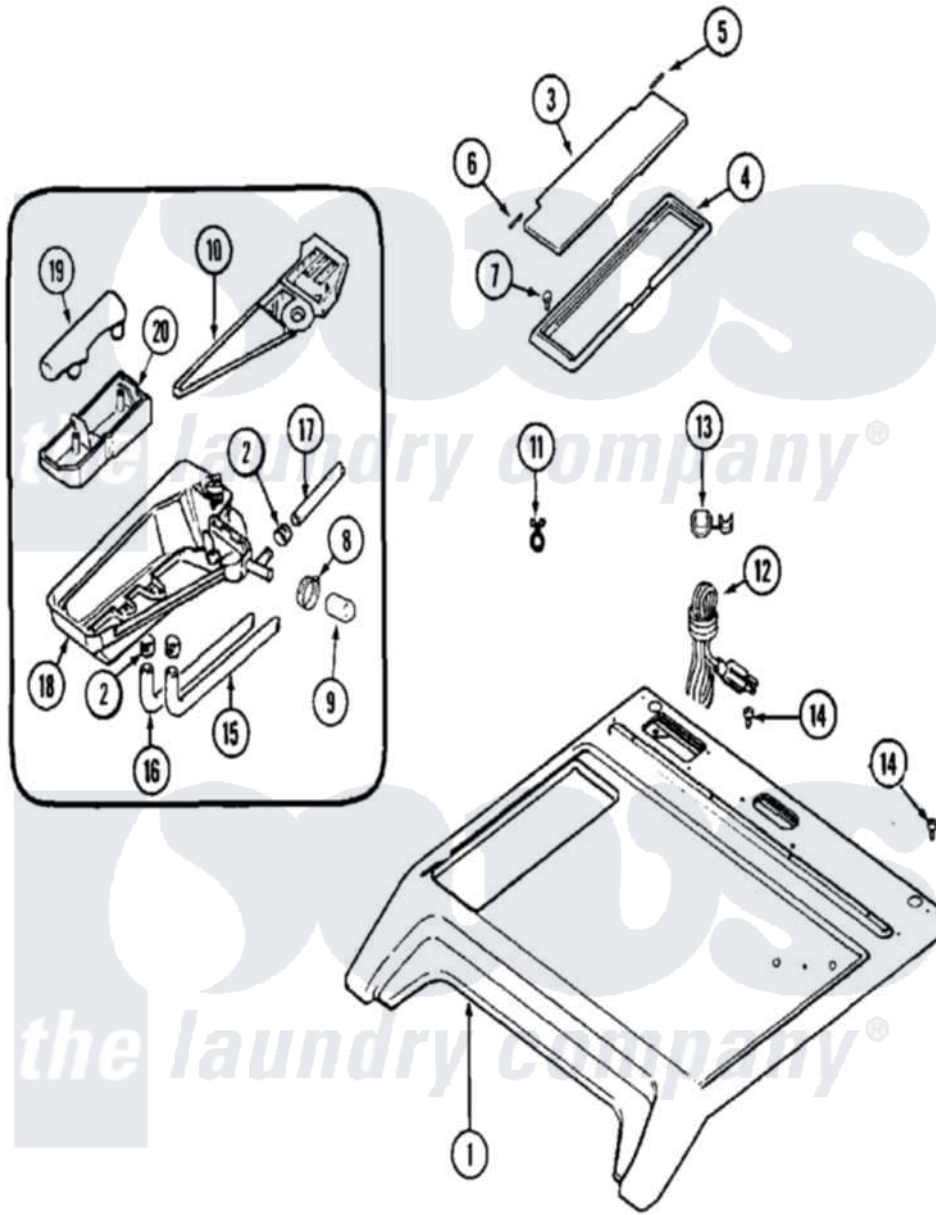


# Maytag MAH20PRAWW 01 - TOP



Maytag Commercial Maytag MAH20PRAWW Washer Parts Parts Diagram 01 - TOP  
 Click on the part number to view part

| Item | Original Part Number     | Replaced By               | Status        | Part Description          |
|------|--------------------------|---------------------------|---------------|---------------------------|
| 001  | <a href="#">22002116</a> |                           |               | Cover, Top                |
| "    | 22002666                 |                           | Not Available | COVER, TOP (BSQ)          |
| "    | 22003584                 | <a href="#">22004180</a>  |               | Cover, Top                |
| "    | 22003586                 | <a href="#">22004178</a>  |               | Cover, Top                |
| "    | 22003587                 | <a href="#">22004181</a>  |               | Cover, Top                |
| "    | NLA                      |                           | Not Available | COVER, TOP (WHT)          |
| 002  | 205161                   | <a href="#">489503</a>    |               | Clamp                     |
| 003  | <a href="#">22002941</a> |                           |               | Lid, Dispenser Commercial |
| 004  | 22002940                 | <a href="#">22003665</a>  |               | Bezel, Dispenser          |
| 005  | Y912678                  | <a href="#">6-912678</a>  |               | Pin- Hinge                |
| 006  | <a href="#">Y912679</a>  |                           |               | Pin, Hinge                |
| 007  | 22002060                 | <a href="#">400021-1</a>  |               | Screw                     |
| 008  | <a href="#">22001984</a> | <a href="#">285655</a>    |               | Clamp, Hose               |
| 009  | <a href="#">22002796</a> |                           |               | Cap                       |
| 010  | <a href="#">22002555</a> |                           |               | Flume, Dispenser          |
| 011  | 212276                   | <a href="#">W10116760</a> |               | Screw                     |

|     |                          |                          |   |
|-----|--------------------------|--------------------------|---|
| "   | 22002027                 | <a href="#">74007164</a> | Lock- Purs                                      |
| 012 | 22001178                 | <a href="#">22003062</a> | Cord, Power                                     |
| 013 | <a href="#">211881</a>   |                          | Grommet, Cord Part Not Used-<br>Gas Models Only |
| 014 | 912365                   | <a href="#">3370225</a>  | Screw   |
| 015 | <a href="#">22002551</a> |                          | Hose, Bleach                                    |
| 016 | <a href="#">22002552</a> |                          | Hose, Fabric Softener----NA                     |
| 017 | <a href="#">22002553</a> |                          | Hose, Detergent                                 |
| 018 | 22002554                 | <a href="#">12001558</a> | Dispenser Bottom With 4<br>Clamps               |
| 019 | <a href="#">22002266</a> |                          | Cap, Siphon                                     |
| 020 | <a href="#">22002265</a> |                          | Cup, Siphon                                     |

**Howes**  
*the laundry company*<sup>®</sup>

**Howes**  
*the laundry company*<sup>®</sup>

**Howes**  
*the laundry company*<sup>®</sup>