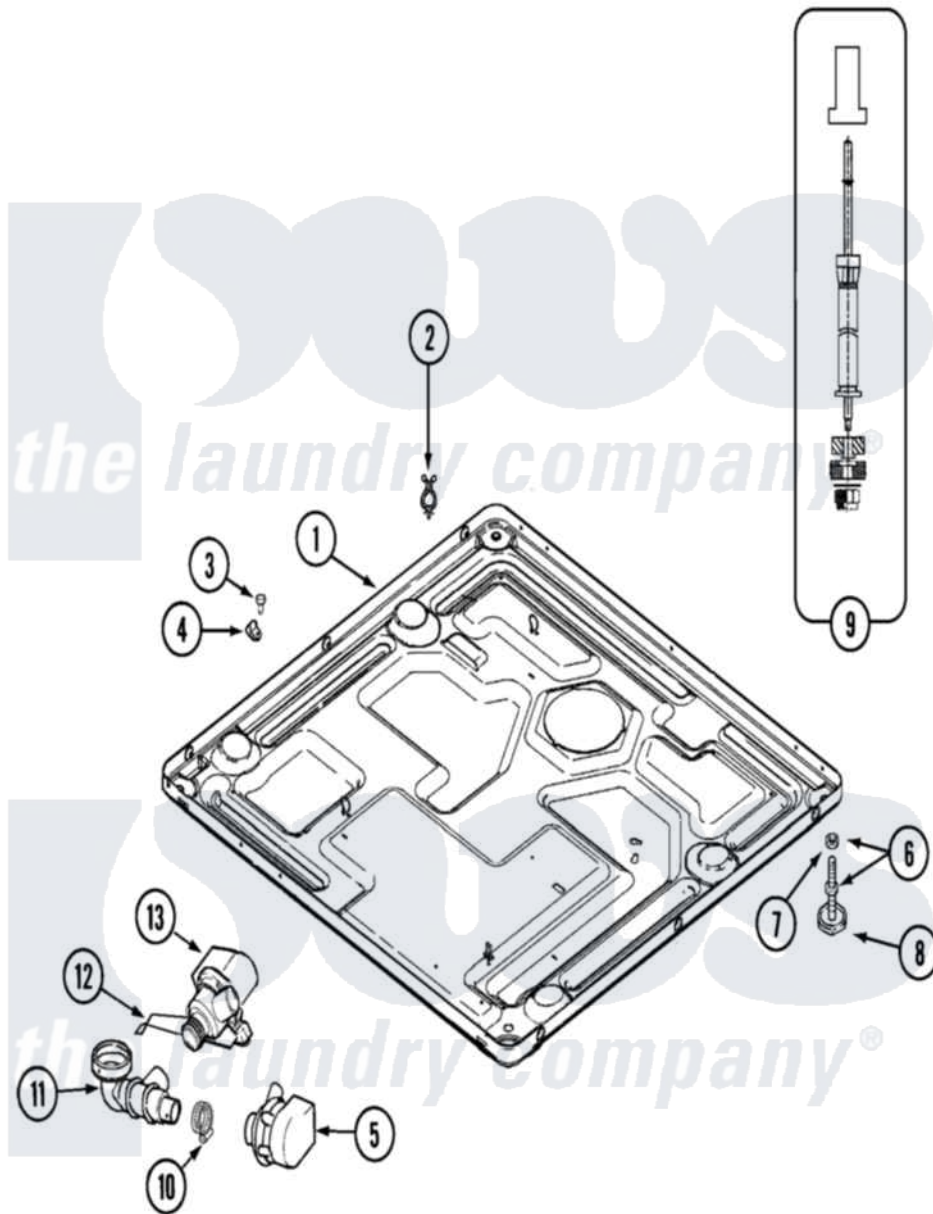


# Maytag MAH20PRDWW 09 - BASE



Maytag [Commercial Maytag MAH20PRDWW Washer Parts](#) Parts Diagram 09 - BASE  
 Click on the part number to view part

Item	Original Part Number	Replaced By	Status	Part Description
001	22002240	<a href="#">22003435</a>		Base, Assembly
"	<a href="#">22003605</a>			Base Weld Assembly
002	315471	<a href="#">22003298</a>		Retainer, Wire
003	212276	<a href="#">W10116760</a>		Screw
004	<a href="#">22002014</a>			Clip, Harness To Support
005	22002939	<a href="#">22003059</a>		Pump, Drain
006	22001915	<a href="#">22003544</a>		Adjustable Leg W/Foot And Nut
007	<a href="#">Y052740</a>	<a href="#">62739</a>		Nut, Lock
008	<a href="#">210684</a>			Foot, Adjustable Leg
009	<a href="#">22001988</a>			Strut Assembly-Rear
010	202515	<a href="#">596669</a>		Clamp, Manifold
011	22002793	<a href="#">22002958</a>		Hose, Outlet
"	<a href="#">22002958</a>			Hose, Outlet
012	<a href="#">22002790</a>			Bracket, Pump Mount
013	202515	<a href="#">596669</a>		Clamp, Manifold
"	<a href="#">22002792</a>			Pump

