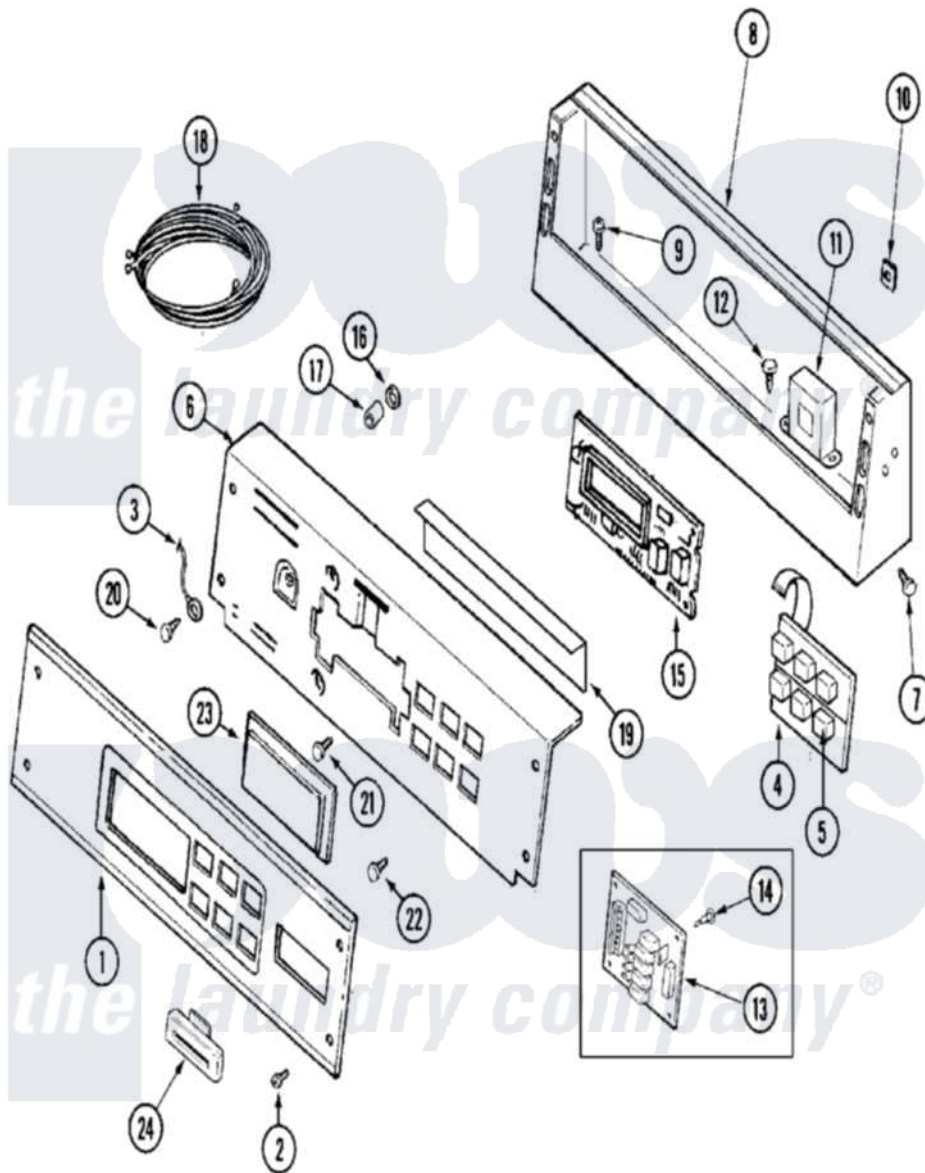


# Maytag MAH21PDAWQ 01 - CONTROL PANEL



Maytag Commercial Maytag MAH21PDAWQ Washer Parts Parts Diagram 01 - CONTROL PANEL  
 Click on the part number to view part

| Item | Original Part Number     | Replaced By               | Status | Part Description                |
|------|--------------------------|---------------------------|--------|---------------------------------|
| 001  | 22003688                 | <a href="#">22004349</a>  |        | Facia - Pd/Ps                   |
| 002  | <a href="#">215506</a>   |                           |        | Screw, Control Panel Overlay    |
| 003  | <a href="#">205810</a>   |                           |        | Wire, Ground                    |
| 004  | 206808                   | <a href="#">W10135389</a> |        | Push Button And Switch Assembly |
| "    | 215527                   | <a href="#">W10140652</a> |        | Screw, 6-20 X 1/2               |
| 005  | 215517                   | <a href="#">W10131113</a> |        | Push Button                     |
| 006  | <a href="#">22003676</a> |                           |        | Switch Brkt And Back Brkt       |
| "    | <a href="#">22003724</a> |                           |        | Bracket, Back                   |
| 007  | 212276                   | <a href="#">W10116760</a> |        | Screw                           |
| 008  | <a href="#">22003088</a> |                           |        | Console                         |
| "    | <a href="#">22003089</a> |                           |        | Console                         |
| 009  | 22002925                 | <a href="#">3370225</a>   |        | Screw                           |
| 010  | <a href="#">215003</a>   |                           |        | Fastener, Panel And Bracket     |
| 011  | <a href="#">22001960</a> |                           |        | Transformer                     |
| 012  | 22002925                 | <a href="#">3370225</a>   |        | Screw                           |
| 013  | <a href="#">22004172</a> |                           |        | Relay Board Drs                 |

|     |                          |                           |                             |
|-----|--------------------------|---------------------------|-----------------------------|
| 014 | <a href="#">33001204</a> |                           | Stand-Off, Ccontrol Board   |
| 015 | 22003689                 | <a href="#">22004335</a>  | Control Board               |
| "   | 22004255                 | <a href="#">22004335</a>  | Control Board               |
| 016 | <a href="#">912077</a>   |                           | Locknut, Reader Harness     |
| 017 | <a href="#">22002943</a> |                           | Stand-Off                   |
| 018 | <a href="#">22002782</a> |                           | Pad, Foam                   |
| "   | <a href="#">22003675</a> |                           | Harness, Wire               |
| "   | 22003830                 | <a href="#">3370225</a>   | Screw                       |
| "   | <a href="#">22003858</a> |                           | EMI Suppression Filter, 16a |
| "   | <a href="#">22003934</a> |                           | Wire Harness                |
| 019 | <a href="#">22002954</a> |                           | Deflector, Water            |
| 020 | 210186                   | <a href="#">3370225</a>   | Screw                       |
| 021 | <a href="#">215526</a>   |                           | Screw, Circuit Board        |
| 022 | 215527                   | <a href="#">W10140652</a> | Screw, 6-20 X 1/2           |
| 023 | 22001962                 | <a href="#">W10131114</a> | Cover, Display              |
| 024 | NLA                      |                           | Not Available               |
|     |                          |                           | MANUAL-USE & CARE           |

