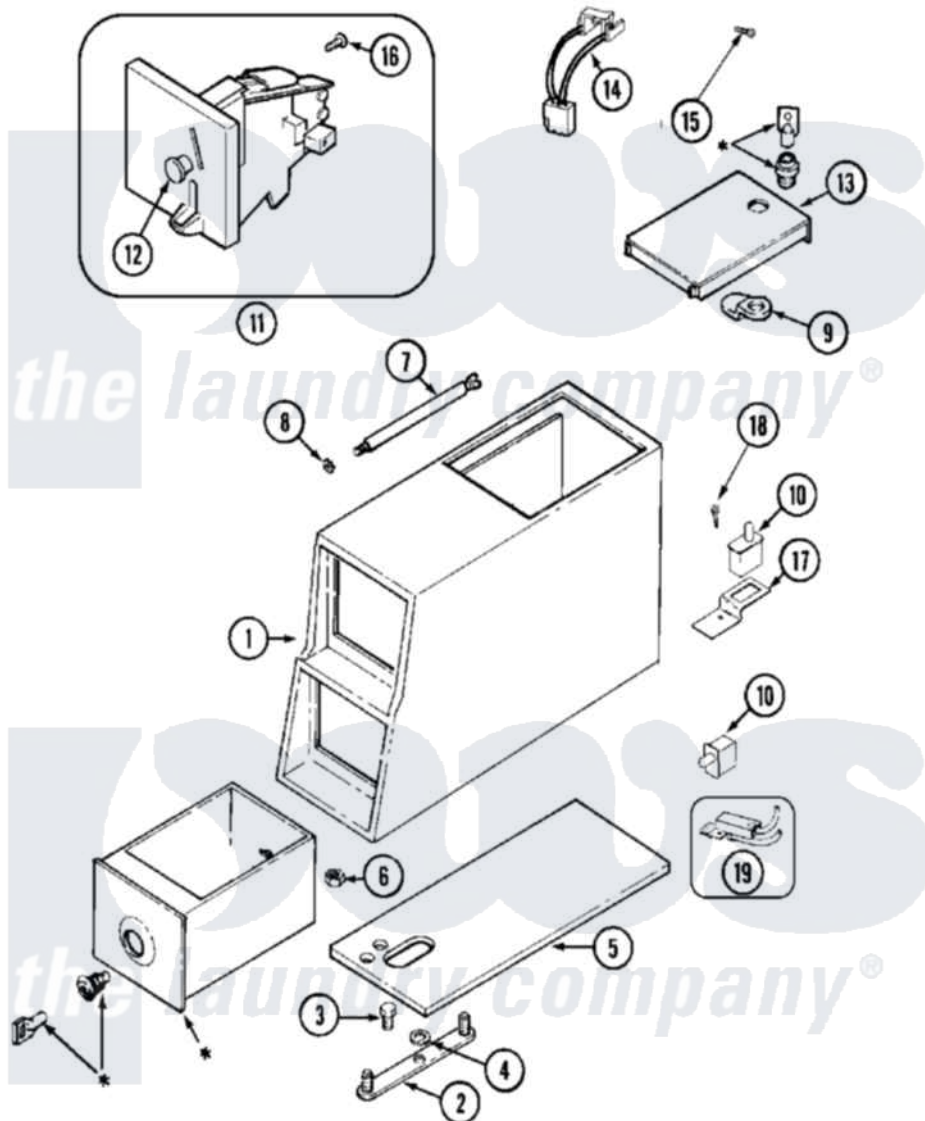


Maytag MAH21PDAWW 02 - CONTROL CENTER



* CONTACT YOUR COMMERCIAL LAUNDRY DISTRIBUTOR

Maytag [Commercial Maytag MAH21PDAWW Washer Parts](#) Parts Diagram 02 - CONTROL CENTER

[Click on the part number to view part](#)

| Item | Original Part Number | Replaced By | Status | Part Description |
|------|--------------------------|--------------------------|---------------|---|
| 001 | 22002480 | | | Vault, Coin PD Coin Drop Supplied By Dist. |
| " | 33002428 | 22002480 | | Vault, Coin PD Coin Drop Supplied By Dist. |
| 002 | 22001810 | | Not Available | STRAP, MOUNTING |
| 003 | 22002925 | 3370225 | | Screw |
| 004 | 910309 | | | Washer, Mounting Strap |
| 005 | 22002072 | | | Gasket, Control Center |
| " | 22002618 | | | Gasket, Control Center |
| 006 | Y052740 | 62739 | | Nut, Lock |
| 007 | 22001903 | 8576635 | | Bolt |
| 008 | 910181 | | | Lockwasher, Terminal Block |
| 009 | 22003677 | | | Nut, Locking Cam |
| 010 | 33001250 | | | Switch, Vault And Service Door |
| 011 | 22001875 | | | Coin Drop Assembly-Dual |
| " | 22002144 | | | Single Faceplate |

| | | | |
|-----|--------------------------|---------------------------|-------------------------------|
| " | 22002535 | W10133245 | Dual Coin Drop Assembly |
| " | 22003678 | 22004112 | Coin Drop Greenwald Us.25 |
| " | 22003815 | | Dual Faceplate |
| " | 22004112 | | Coin Drop Greenwald Us.25 |
| " | 22004113 | W10133245 | Dual Coin Drop Assembly |
| " | 22004114 | | Coin Drop Greenwald .25 |
| " | 33002644 | | Dual Faceplate Assembly |
| " | 33002645 | | Coin Drop-Canada |
| " | 33002646 | | Coin Drop-Canada |
| " | 33002647 | | Single Faceplate Assembly |
| 012 | 216200 | | Face Plate Return Button |
| 013 | 22003679 | | Timer Access Door Assembly |
| " | 22003692 | | Timer Access Door Assembly |
| 014 | 22001965 | | Optic Switch Assembly |
| 015 | 314665 | | Screw, Switch Assembly |
| 016 | 22001069 | | Screw, Vault To Control Cover |
| 017 | 22001404 | | Bracket, Service Switch |
| 018 | 22001069 | | Screw, Vault To Control Cover |
| 019 | 22001966 | | Harness, Sensor Switch |

