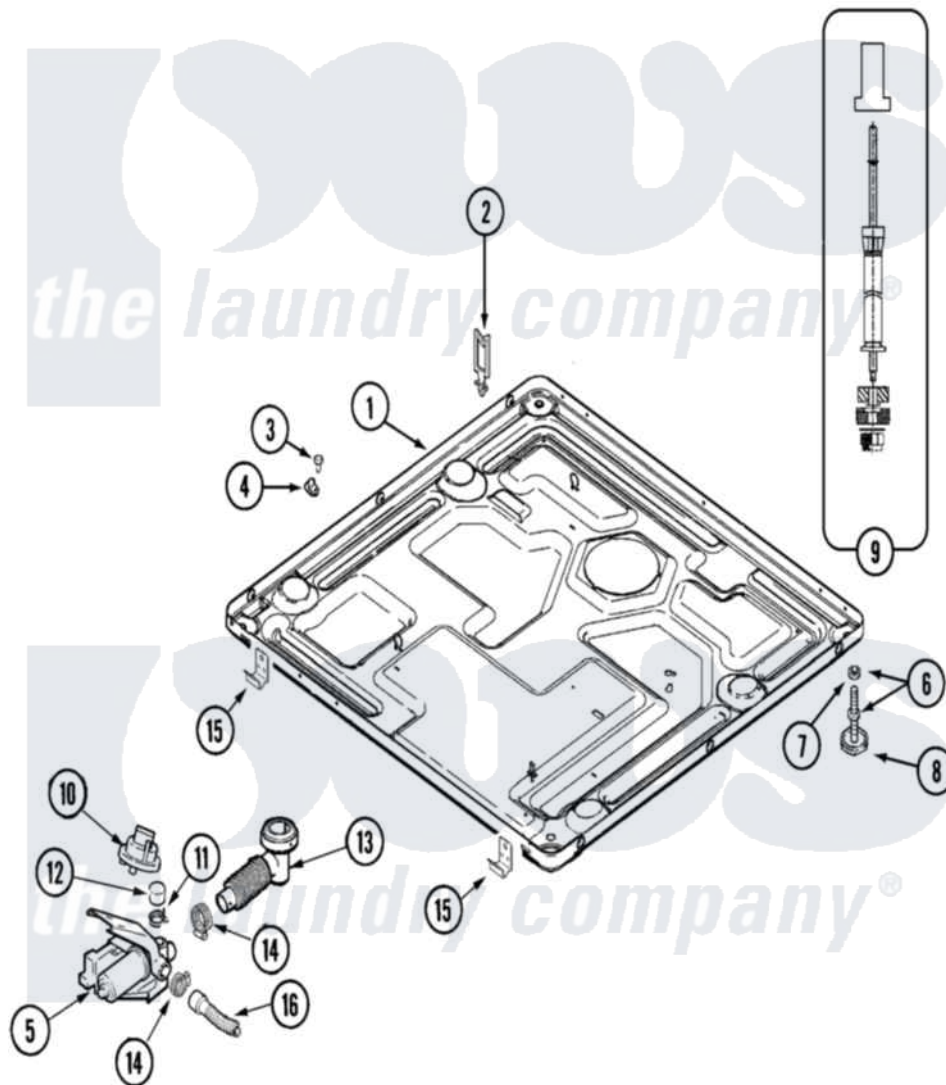


Maytag MAH21PDAWW 08 - BASE



Maytag [Commercial Maytag MAH21PDAWW Washer Parts](#) Parts Diagram 08 - BASE
 Click on the part number to view part

Item	Original Part Number	Replaced By	Status	Part Description
001	22003605			Base Weld Assembly
002	22003298			Retainer, Wire
003	Y313561			Screw---NA
004	22003327			Clamp, Lcd Harness To Cover
005	22003244	25001052		Pump Assembly
006	22003544			Adjustable Leg W/Foot And Nut
007	Y052740	62739		Nut, Lock
008	210684			Foot, Adjustable Leg
009	22001988			Strut Assembly-Rear
010	22003728			Switch, Pressure Items 22-30 Listed As Series
"	NLA		Not Available	BAG, PLASTIC W/DRAWSTRING
011	22002853	285655		Clamp, Hose
012	22003268			Cap, Rubber
013	22003262			Hose, Tub To Pump Outlet

014	202515	596669	Clamp, Manifold
015	22001995		Screw Note: Screw, Tumbler Front And Shroud
"	22002239		Clip, Front Panel
016	22002892		Retainer, Drain Hose
"	22003319	12001807	Drain Hose Kit

